

Approvals



15A-300V



10A-400V

Electrical

Rated voltage 450V
 Rated current 20A
 Contact resistance 20mΩ
 Insulation resistance 500MΩ/DC500V
 Withstanding voltage AC2000V/1min
 Wire range

Torque
 Temp. Range -40°C +105°C
 Stripping length
 Max sold. time +250°C for 5 sec

Dimensions

Pitch 7.62 mm
 Poles 2÷24

Material

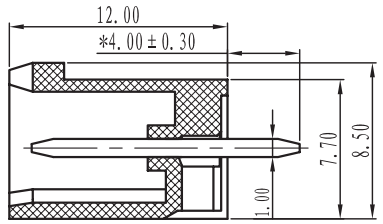
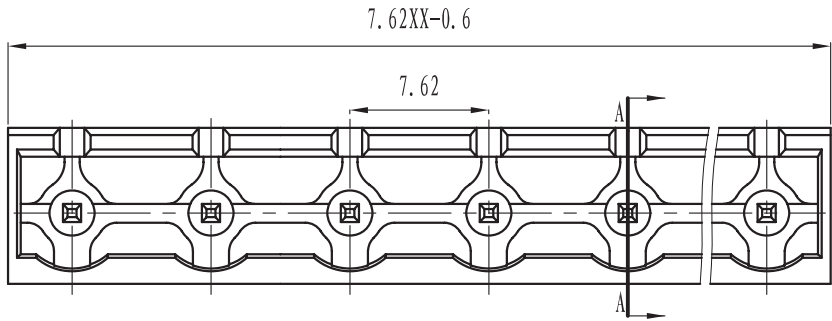
Housing PA66 UL94V0
 Pin Copper Alloy, Sn plated
 Cage
 Screws
 Side Block
 Nut screw
 Clamp

General description of ordering code

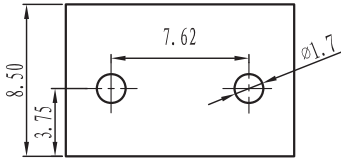
Series	n. Poles	Pitch	Version	Color	Custom
CCM	02÷24	-7.62	-CV		

Version Date

19/01 21/01/19



SECTION A-A



euro-block



linear dimension (Tolerances Standard GB/T 14486-2008)

variable range	to 6	over 6 to 10	over 10 to 30	over 30 to 60	over 60 to 100	over 100 to 160	over 160 to	to 10	over 10 to 100	over 100 to
tolerance	±0.20	±0.30	±0.50	±0.70	±1.00	±1.30	±1.60	0.10	0.30	0.60

UNITS: mm

SCALE: 10:1

SHEET SIZE: ISO A4



First angle projection

CCM-7.62-CV