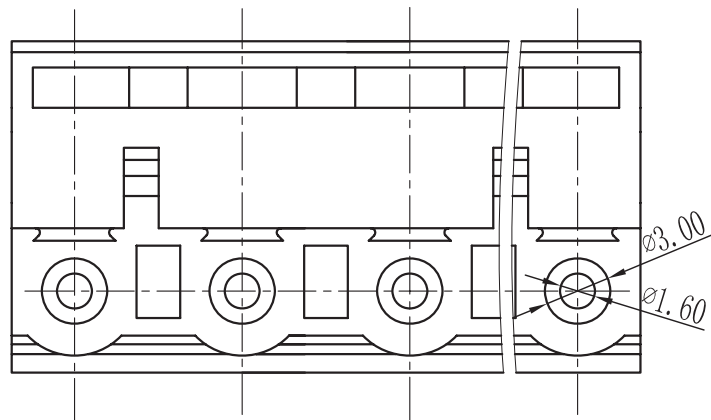


SECTION A-A



**Approvals**



15A-300V

**Electrical**

Rated voltage	450V
Rated current	20A
Contact resistance	20mΩ
Insulation resistance	500MΩ/DC500V
Withstanding voltage	AC2000V/1min
Wire range	22-12 AWG 2,5mm <sup>2</sup>
Torque	0,5Nm (4.5Lb in)
Temp. Range	-40°C +105°C
Stripping length	7 mm
Max sold. time	

**Dimensions**

Pitch	7,5 mm
Poles	2÷24

**Material**

Housing	PA66 UL94V0
Pin	
Cage	Copper Alloy, Ni plated
Screws	M3 steel, Zn plated
Side Block	
Nut screw	
Clamp	Phosphore bronze, Ni plated

**General description of ordering code**

Series	n. Poles	Pitch	Version	Color	Custom
CRF	02÷24	-7.5			

**Version Date**

19/01 18/01/19



**euro-block**



linear dimension (Tolerances Standard GB/T 14486-2008)										UNITS: mm			
variable range	to 6	over 6 to 10	over 10 to 30	over 30 to 60	over 60 to 100	over 100 to 160	over 160 to	to 10	over 10 to 100	over 100 to	SCALE: 10:1		
tolerance	±0.20	±0.30	±0.50	±0.70	±1.00	±1.30	±1.60	0.10	0.30	0.60	SHEET SIZE: ISO A4		



First angle projection

**CRF-7.5**