

**Approvals**



pending  
not approved

**Electrical**

Rated voltage 250V  
 Rated current 17.5A  
 Contact resistance 20mΩ  
 Insulation resistance 500MΩ/DC500V  
 Withstanding voltage AC2000V/1 min  
 Wire range 1,5mm<sup>2</sup> 26÷16 AWG

Torque ---  
 Temp. Range -40°C + 105°C  
 Stripping length 6 mm  
 Max sold. time +250°C for 5 sec.

**Dimensions**

Pitch 5  
 Poles 2+2÷24+24

**Material**

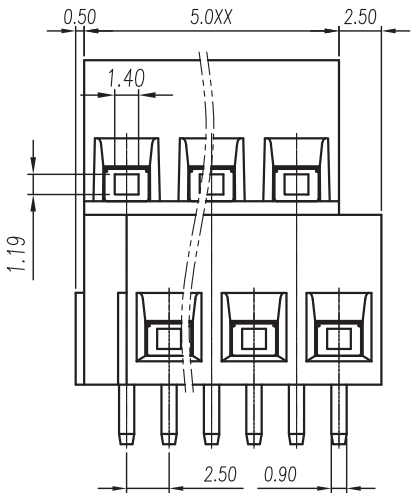
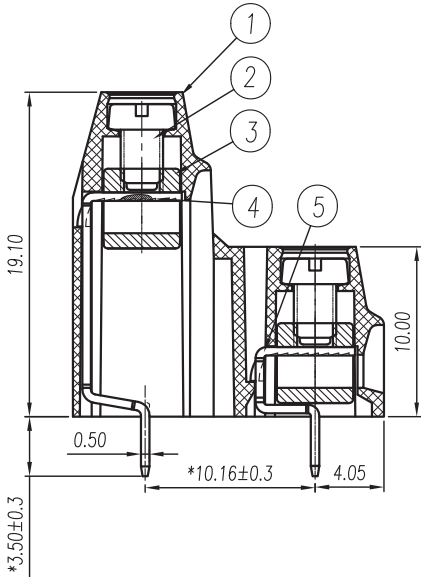
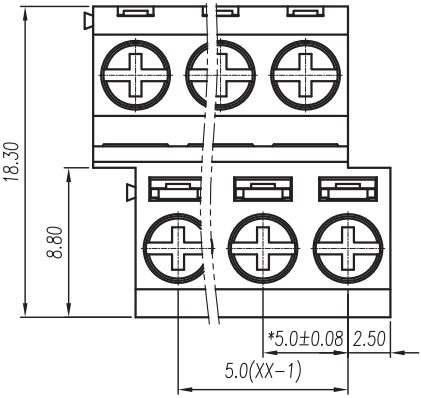
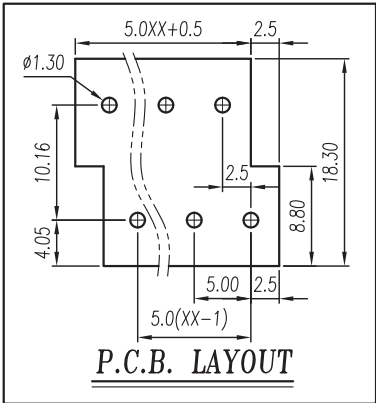
Housing PA66 UL94V0  
 Pin Brass, Tin plated  
 Cage Brass, Ni plated  
 Screws M2,5; Steel Zn plated  
 Side Block ---  
 Nut screw ---  
 Clamp ---

**General description of ordering code**

Series	n. Poles	Pitch	Version	Color	Custom
MRD51	2÷24	-5	-V		

**Version Date**

16/01 12/05/2016



**euro-block**



UNITS: mm

SHEET SIZE: ISO A4

SCALE: 5:2

> 0 ~ 3

> 3 ~ 18

> 18 ~ 50

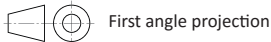
> 50 ~ 120

± 0.12

± 0.15

± 0.3

± 0.5



**MRD51-5-V**