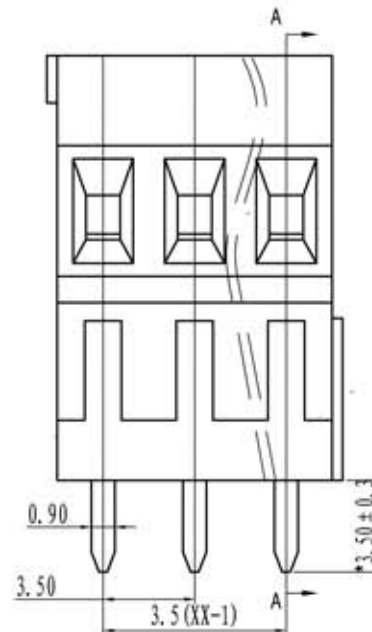
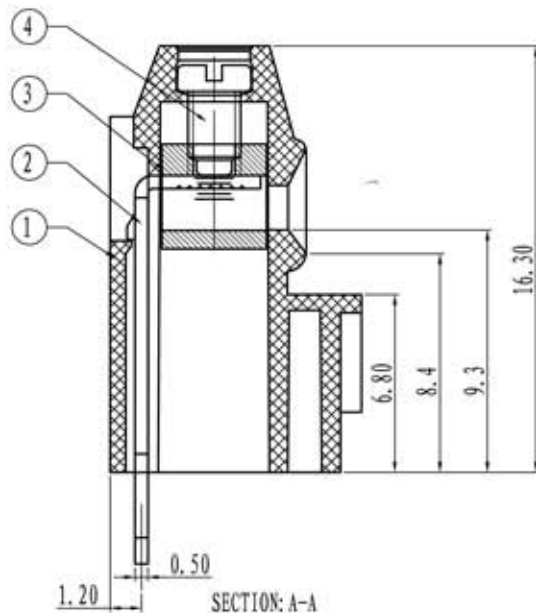
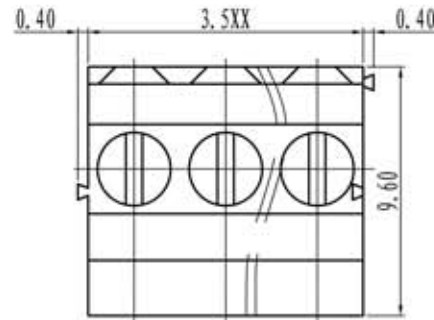
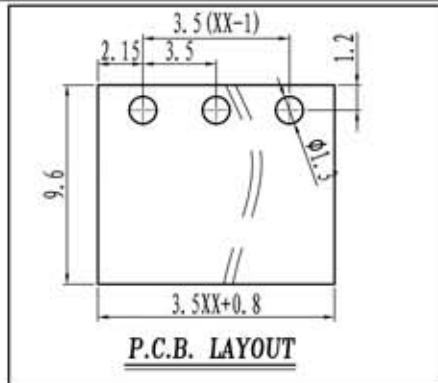


# euro-block

product specification



### Approvals

UL-cUL 14-30 AWG ; 15A 300V  
VDE Not approved

### Electrical

Standard: UL-IEC  
Rated voltage: 300V-250V  
Rated current: 10A-10A  
Wire range: 30-16AWG-1.5mm<sup>2</sup>  
Withstanding voltage: AC2000V/1Min

### Mechanical

Torque: 0.2Nm (1.7Lb'in)  
Temp.Range: -40°C~+105°C  
Strip length: 5-6mm

### Dimensions

Pitch: 3.50mm (0.138"), 3.81mm (0.150")  
Poles: 2p-xxp

### Material

Housing: PA66, UL94V-0  
Screws: M2, steel, Zinc plated  
Pin header: Brass, Tin plated  
Wire guard: Brass, Ni plated

General description of ordering code

Versione/Version

Data/Date

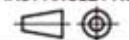
2014-1-

11/04/2014

Series	n. poles	pitch	version	color	custom
MRH31	2+24	3.5/3.81	V		

UNITS: mm SIZE: A4

FIRST ANGLE PROJECTION



ELDECO SRL - TORINO (ITALY)

MRH31-V

variable range	linear dimension				fillet	chamfer	short angle sid				≡	-	□	//	⊥		
	to 6	over 6 to 30	over 30 to 120	over 120 to 480	all to 6	over 6 to 10	over 10 to 50	over 50 to 120	over 120 to 10'								
tolerance	±0.1	±0.2	±0.3	±0.5	±0.9	±0.2	±0.5	±1	1'	30'	20'	10'	0.5	0.025	0.06	0.12	0.4