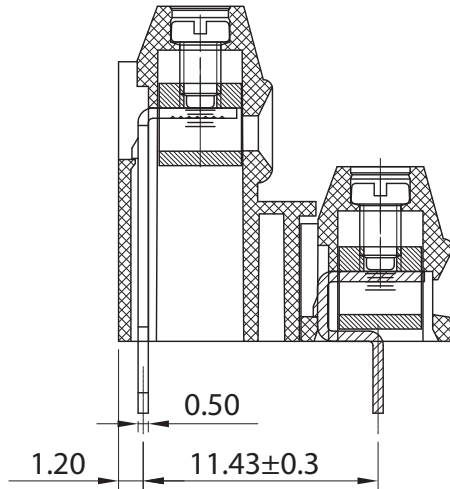
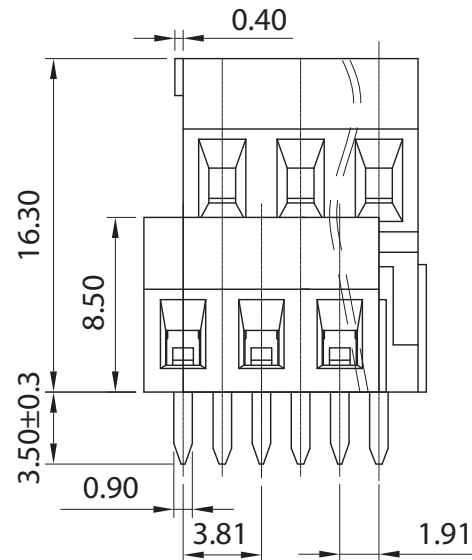
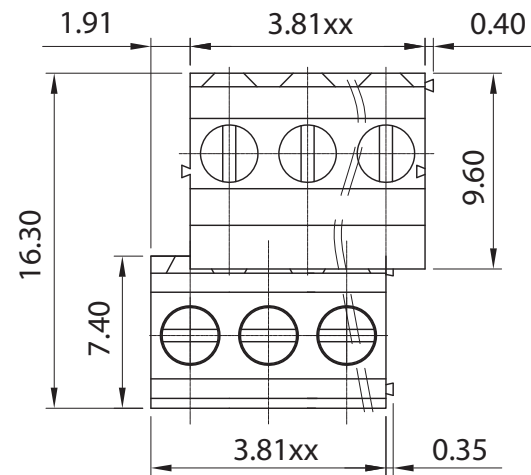


p.c.b. layout



section: A-A



Approvals



15A-300V

13,5A-160V

Electrical

Rated voltage 250V
 Rated current 15A
 Contact resistance 20mΩ
 Insulation resistance 500MΩ/DC500V
 Withstanding voltage AC 1600V/1 min
 Wire range 28÷16 AWG 1 mm2

Torque 0,2Nm(1.8Lb in)
 Temp. Range -40°C+105°C
 Stripping length 6mm
 Max sold. time +250°C for 5 sec.

Dimensions

Pitch 3,81 mm
 Poles 2+2÷24+24

Material

Housing PA66 UL94V0
 Pin Copper Alloy, tin plated
 Cage Copper Alloy, NI plated
 Screws M2, Steel Zn plated
 Side Block
 Nut screw
 Clamp

General description of ordering code

Series	n. Poles	Pitch	Version	Color	Custom
MRD31	2÷24	-3.81	-R		

Version **Date**

21/01

17/06/2021



First angle projection

MRD31-3.81-R



euro-block



UNITS: mm

SHEET SIZE: ISO A4

SCALE: 10:1

> 0 ~ 3

> 3 ~ 18

> 18 ~ 50

> 50 ~ 120

± 0.12

± 0.15

± 0.3

± 0.5