

Approvals



15A-300V
10A-400V

Electrical

Rated voltage 450V
Rated current 20A
Contact resistance 20mΩ
Insulation resistance 500MΩ/DC500V
Withstanding voltage AC2000V/1min
Wire range

Torque
Temp. Range -40°C +105°C
Stripping length
Max sold. time +250°C for 5 sec

Dimensions

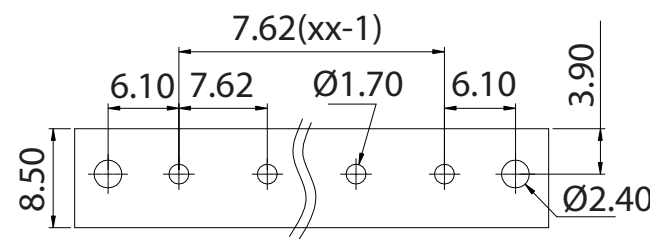
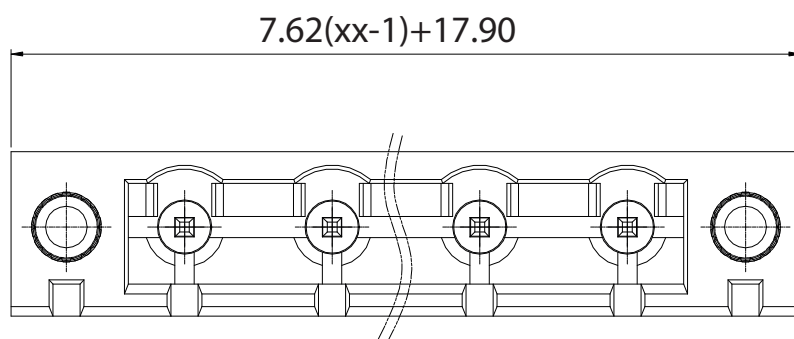
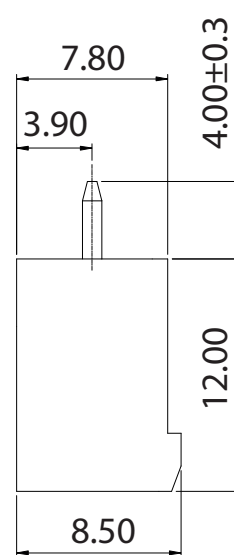
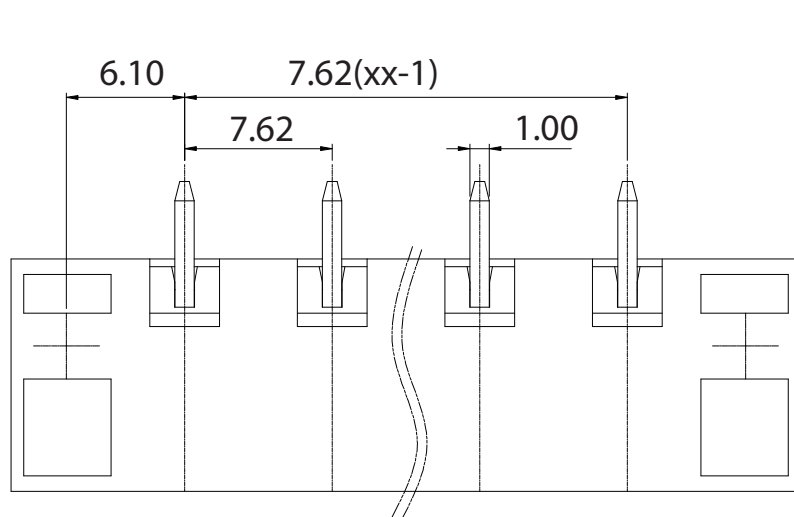
Pitch 7,62 mm
Poles 2÷22

Material

Housing PA66 UL94V0
Pin Copper Alloy, Sn plated
Cage
Screws
Side Block
Nut screw
Clamp

General description of ordering code

Series	n. Poles	Pitch	Version	Color	Custom
CCM	02÷22	-7.62	-VF		



p.c.b. layout

Version Date

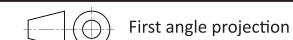
01/21 08/11/2021



euro-block



linear dimension (Tolerances Standard GB/T 14486-2008)										UNITS: mm			
variable range	to 6	over 6 to 10	over 10 to 30	over 30 to 60	over 60 to 100	over 100 to 160	over 160 to	to 10	over 10 to 100	over 100 to	SCALE: 10:1		
tolerance	±0.20	±0.30	±0.50	±0.70	±1.00	±1.30	±1.60	0.10	0.30	0.60	SHEET SIZE: ISO A4		



CCM-7.62-VF