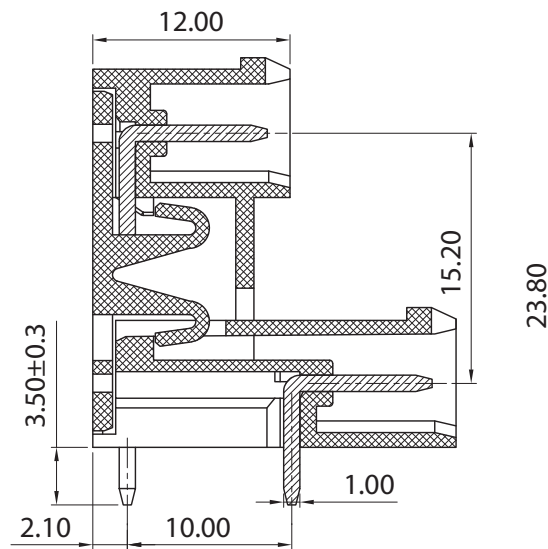
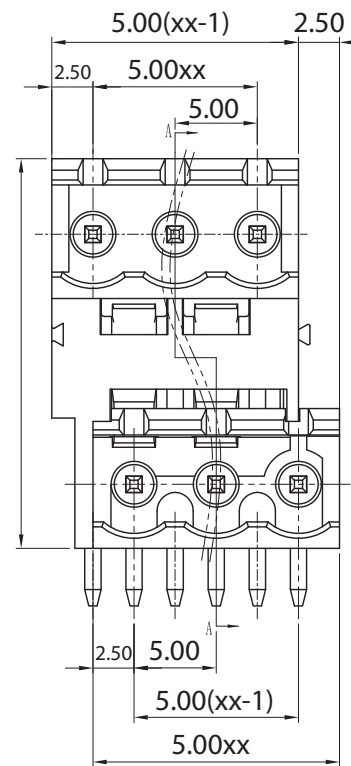
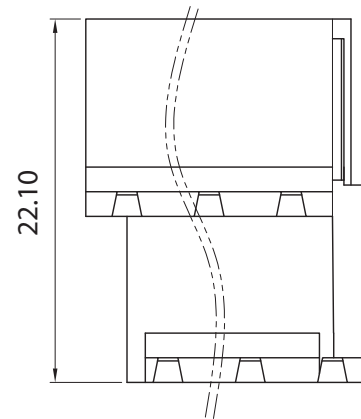


p.c.b. layout



Section: A-A



**Approvals**



15A-300V

**Electrical**

Rated voltage	320V
Rated current	10A
Contact resistance	20mΩ
Insulation resistance	500MΩ/DC500V
Withstanding voltage	AC1600V1 min
Wire range	
Torque	
Temp. Range	-40°C+105°C
Stripping length	
Max sold. time	+250°C for 5 sec

**Dimensions**

Pitch	5.00 mm
Poles	2+2+3+3

**Material**

Housing	PA66 UL94V0
Pin	Copper Alloy, tin plated
Cage	
Screws	
Side Block	
Nut screw	
Clamp	

**General description of ordering code**

Series	n. Poles	Pitch	Version	Color	Custom
CMD	02÷24	-5	-H		

**Version Date**

21/01 21/04/2021



**euro-block**



**UNITS:** mm

**SHEET SIZE:** ISO A4

**SCALE:** 10:1

> 0 ~ 3

> 3 ~ 18

> 18 ~ 50

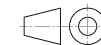
> 50 ~ 120

± 0.12

± 0.15

± 0.3

± 0.5



First angle projection

**CMD-5-H**