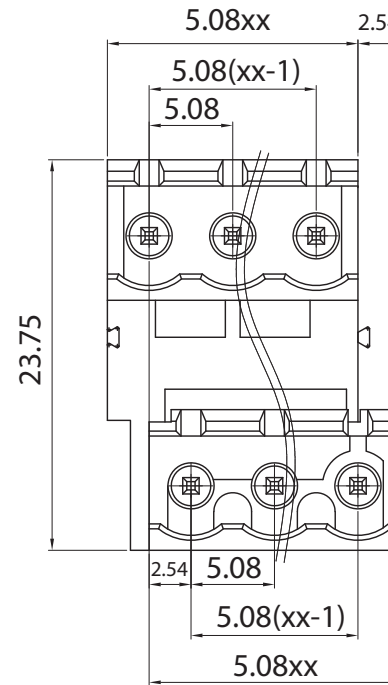
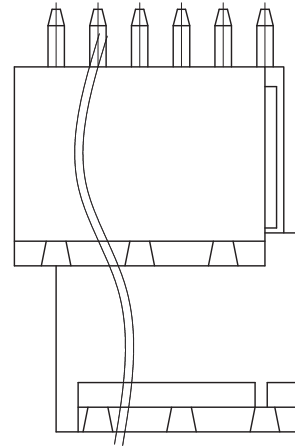
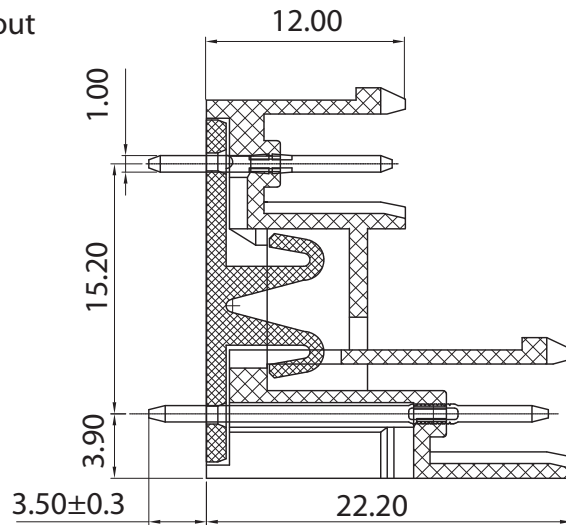


p.c.b.layout



**Approvals**



15A-300V

**Electrical**

|                       |                  |
|-----------------------|------------------|
| Rated voltage         | 320V             |
| Rated current         | 10A              |
| Contact resistance    | 20mΩ             |
| Insulation resistance | 500MΩ/DC500V     |
| Withstanding voltage  | AC1600V1 min     |
| Wire range            |                  |
| Torque                |                  |
| Temp. Range           | -40°C+105°C      |
| Stripping length      |                  |
| Max sold. time        | +250°C for 5 sec |

**Dimensions**

|       |         |
|-------|---------|
| Pitch | 5.08 mm |
| Poles | 2+2+3+3 |

**Material**

|            |                          |
|------------|--------------------------|
| Housing    | PA66 UL94V0              |
| Pin        | Copper Alloy, tin plated |
| Cage       |                          |
| Screws     |                          |
| Side Block |                          |
| Nut screw  |                          |
| Clamp      |                          |

**General description of ordering code**

| Series | n. Poles | Pitch | Version | Color | Custom |
|--------|----------|-------|---------|-------|--------|
| CMD    | 02÷24    | -5.08 | -V      |       |        |

**Version Date**

21/01 21/04/2021



**euro-block**



**UNITS:** mm

**SHEET SIZE:** ISO A4

**SCALE:** 10:1

> 0 ~ 3

> 3 ~ 18

> 18 ~ 50

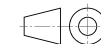
> 50 ~ 120

± 0.12

± 0.15

± 0.3

± 0.5



First angle projection

**CMD-5.08-V**