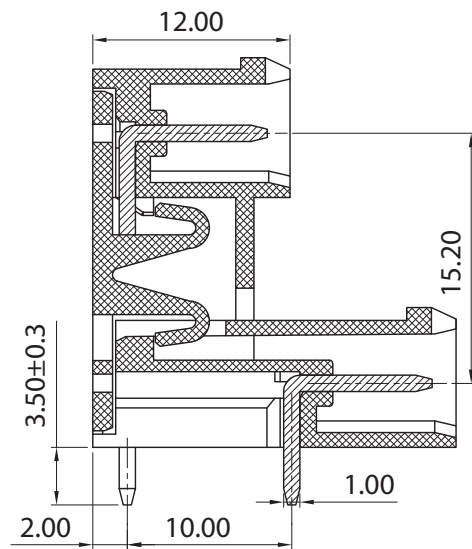
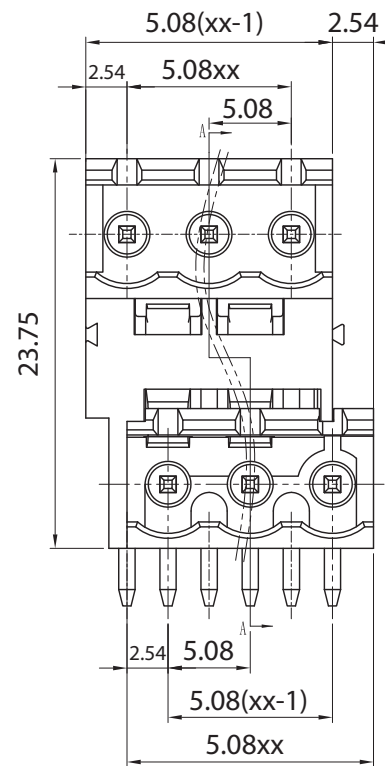
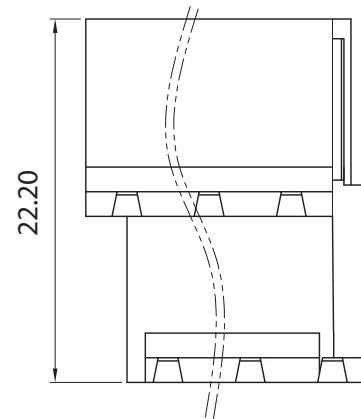


p.c.b. layout



Section: A-A



Approvals



15A-300V

Electrical

| | |
|-----------------------|------------------|
| Rated voltage | 320V |
| Rated current | 10A |
| Contact resistance | 20mΩ |
| Insulation resistance | 500MΩ/DC500V |
| Withstanding voltage | AC1600V1 min |
| Wire range | |
| | |
| Torque | |
| Temp. Range | -40°C+105°C |
| Stripping length | |
| Max sold. time | +250°C for 5 sec |

Dimensions

| | |
|-------|---------|
| Pitch | 5.08 mm |
| Poles | 2+2+3+3 |

Material

| | |
|------------|--------------------------|
| Housing | PA66 UL94V0 |
| Pin | Copper Alloy, tin plated |
| Cage | |
| Screws | |
| Side Block | |
| Nut screw | |
| Clamp | |

General description of ordering code

| Series | n. Poles | Pitch | Version | Color | Custom |
|--------|----------|-------|---------|-------|--------|
| CMD | 02÷24 | -5.08 | -H | | |

Version Date

21/01 21/04/2021



euro-block



UNITS: mm

SHEET SIZE: ISO A4

SCALE: 10:1

> 0 ~ 3

> 3 ~ 18

> 18 ~ 50

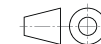
> 50 ~ 120

± 0.12

± 0.15

± 0.3

± 0.5



First angle projection

CMD-5.08-H