

**Approvals**



15A-300V



**Electrical**

Rated voltage	320V
Rated current	10A
Contact resistance	20mΩ
Insulation resistance	500MΩ/DC500V
Withstanding voltage	AC1600V1 min
Wire range	
Torque	
Temp. Range	-40°C+105°C
Stripping length	
Max sold. time	+250°C for 5 sec

**Dimensions**

Pitch	5.08 mm
Poles	2+2+3+3

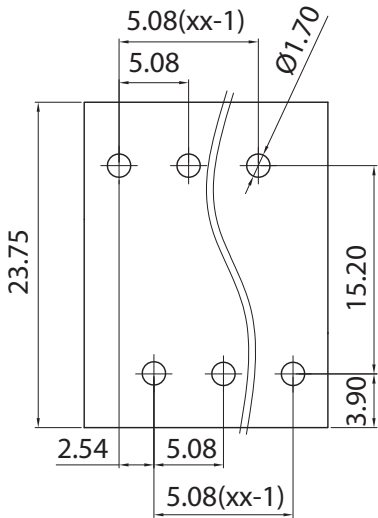
**Material**

Housing	PA66 UL94V0
Pin	Copper Alloy, tin plated
Cage	
Screws	
Side Block	
Nut screw	
Clamp	

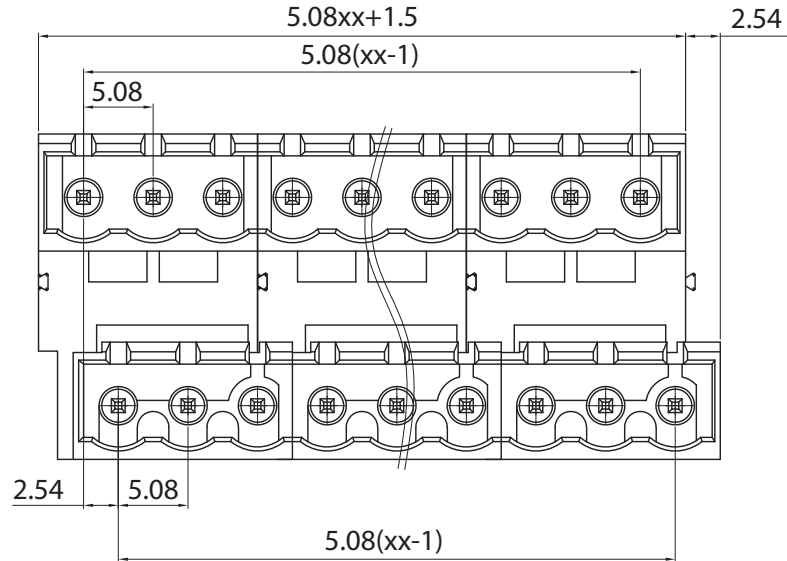
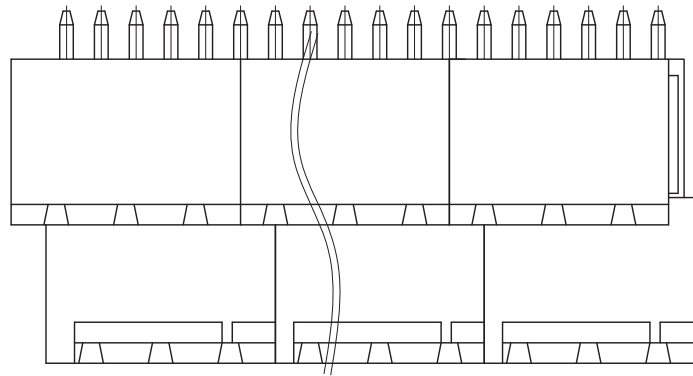
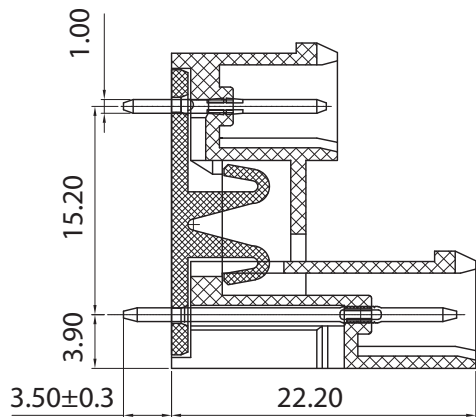
**General description of ordering code**

Series	n. Poles	Pitch	Version	Color	Custom
CMD	02÷24	-5.08	-CV		

<b>Version</b>	<b>Date</b>
21/01	21/04/2021



p.c.b. layout



**euro-block**



UNITS: mm

SHEET SIZE: ISO A4

SCALE: 10:1

> 0 ~ 3

> 3 ~ 18

> 18 ~ 50

> 50 ~ 120

± 0.12

± 0.15

± 0.3

± 0.5



First angle projection

**CMD-5.08-CV**