

### Approvals



8A-300V

### Electrical

Rated voltage 250V  
 Rated current 10A  
 Contact resistance 20mΩ  
 Insulation resistance 500MΩ/DC500V  
 Withstanding voltage AC2000V/1min  
 Wire range

Torque  
 Temp. Range -40°C+105°C  
 Stripping length  
 Max sold. time +250°C for 5sec

### Dimensions

Pitch 3,5 mm  
 Poles 2+2÷24+24

### Material

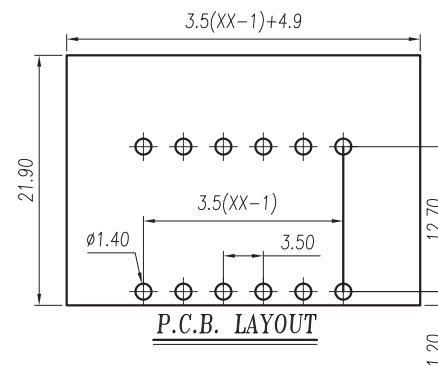
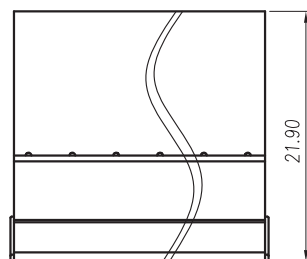
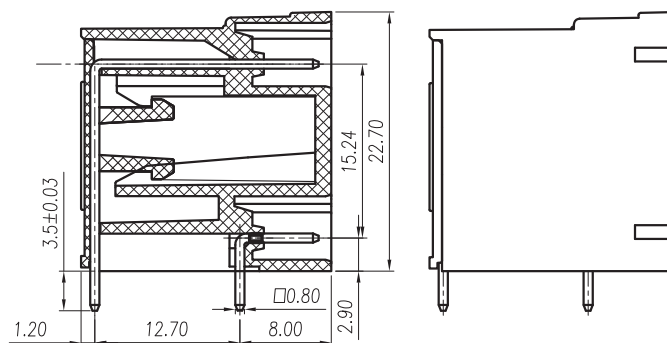
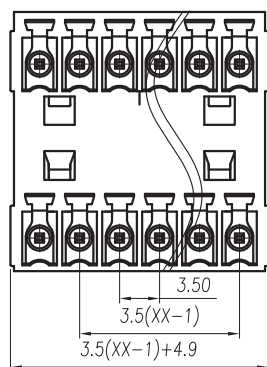
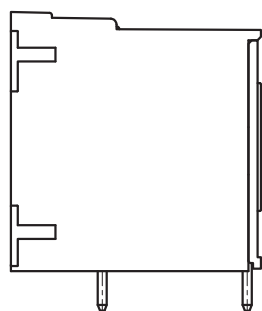
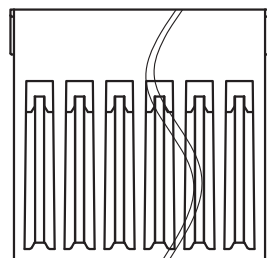
Housing PA66 UL94V0  
 Pin Copper Alloy, tin plated  
 Cage  
 Screws  
 Side Block  
 Nut screw  
 Clamp

### General description of ordering code

Series	n. Poles	Pitch	Version	Color	Custom
MDL	02÷24	-3.5	-H		

### Version Date

01/17 27/03/17



euro-block



UNITS: mm

SHEET SIZE: ISO A4

SCALE: 10:1

> 0 ~ 3

> 3 ~ 18

> 18 ~ 50

> 50 ~ 120

± 0.12

± 0.15

± 0.3

± 0.5



First angle projection

**MDL-3.5-H**