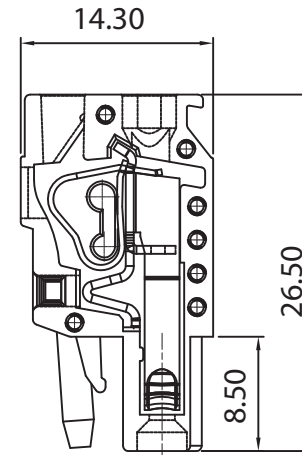
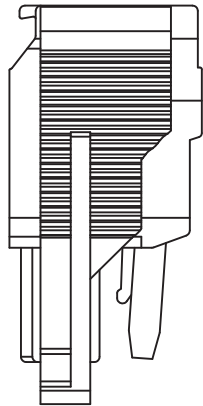
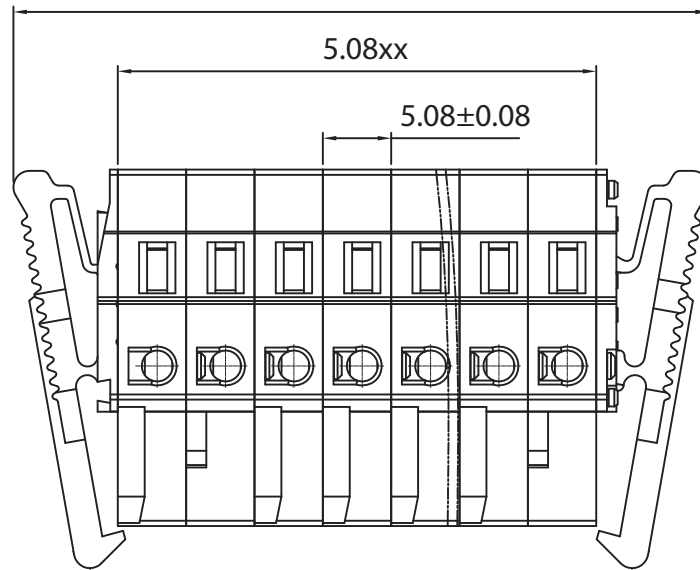


5.08xx+16.1



**Approvals**



15A-300V



**Electrical**

Rated voltage 250V  
 Rated current 12A  
 Contact resistance 20mΩ  
 Insulation resistance 500MΩ/DC500V  
 Withstanding voltage AC2000V/1 min  
 Wire range 28-12AWG 2,5 mm<sup>2</sup>

Torque  
 Temp. Range -40°C+105°C  
 Stripping length 8 mm  
 Max sold. time

**Dimensions**

Pitch 5,08 mm  
 Poles 2÷24

**Material**

Housing PA66 UL94V0  
 Pin Copper alloy, tin plated  
 Cage  
 Screws  
 Side Block  
 Nut screw  
 Clamp Stainless Steel

**General description of ordering code**

Series	n. Poles	Pitch	Version	Color	Custom
CFP1	02÷24	-5.08	-EJ		

**Version Date**

01/21 28/04/2021



**euro-block**



**UNITS:** mm

**SHEET SIZE:** ISO A4

**SCALE:** 10:1

> 0 ~ 3

> 3 ~ 18

> 18 ~ 50

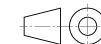
> 50 ~ 120

± 0.12

± 0.15

± 0.3

± 0.5



First angle projection

**CFP1-5.08-EJ**