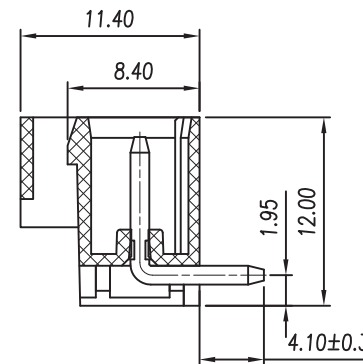
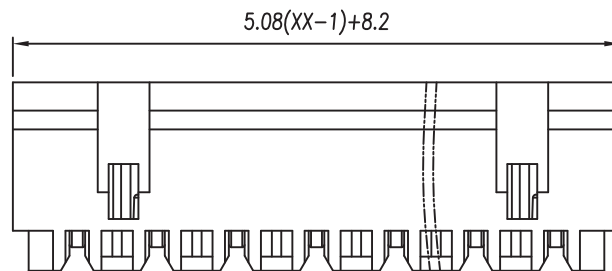
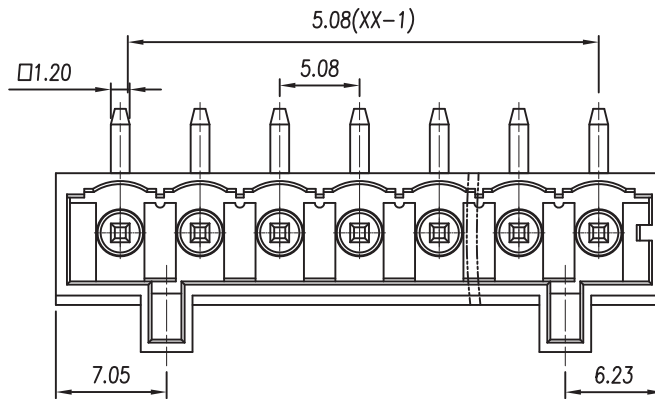


P.C.B. LAYOUT



Approvals



15A 300V
not approved

Electrical

Rated voltage 450V
Rated current 20A
Contact resistance 20mΩ
Insulation resistance 500MΩ/DC500V
Withstanding voltage AC2000V/ 1min
Wire range

Torque
Temp. Range -40°C + 105°C
Stripping length
Max sold. time +250°C for 5 sec

Dimensions

Pitch 5.08 mm
Poles 2÷24

Material

Housing PA66 UL94V0
Pin Copper Alloy, tin plated
Cage
Screws
Side Block
Nut screw
Clamp

General description of ordering code

Series	n. Poles	Pitch	Version	Color	Custom
CMP1	02÷24	-5.08	-HP		-S

Version Date

01/18 07/02/18



euro-block



UNITS: mm

SHEET SIZE: ISO A4

SCALE: 10:1

> 0 ~ 3

> 3 ~ 18

> 18 ~ 50

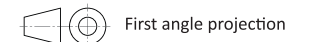
> 50 ~ 120

± 0.12

± 0.15

± 0.3

± 0.5



CMP1-5.08-HP-S