

Approvals



15A-300V

Electrical

Rated voltage	320V
Rated current	12A
Contact resistance	20mΩ
Insulation resistance	500MΩ/DC500V
Withstanding voltage	AC1600V/1min
Wire range	28-12 AWG 2,5mm ²
Torque	0,5Nm (4.5Lb in)
Temp. Range	-40°C +105°C
Stripping length	7 mm
Max sold. time	

Dimensions

Pitch	5 mm
Poles	2÷22

Material

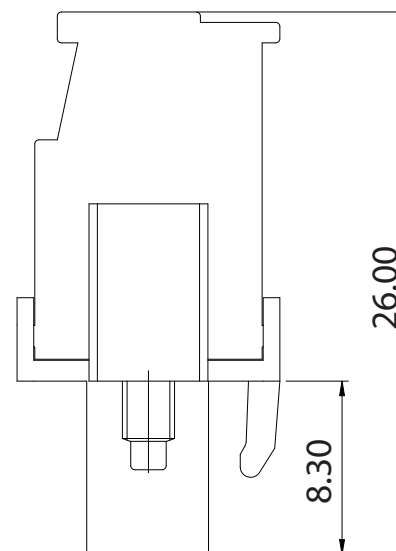
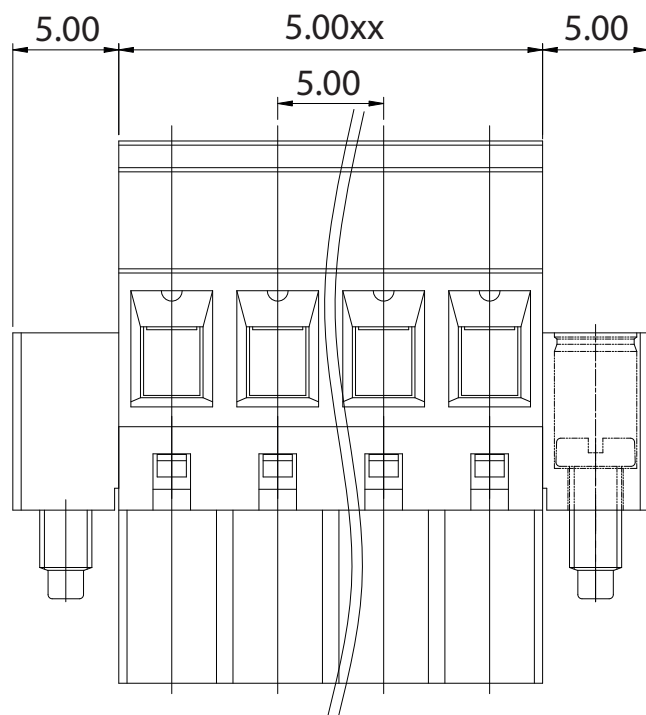
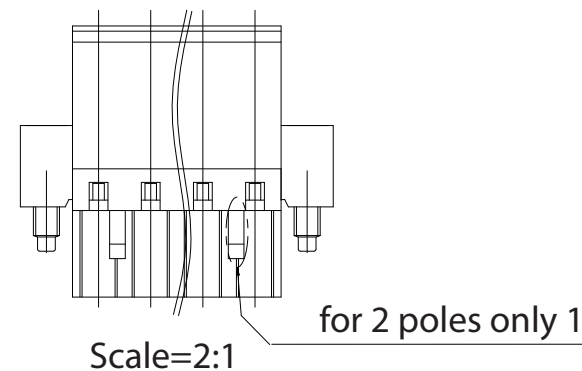
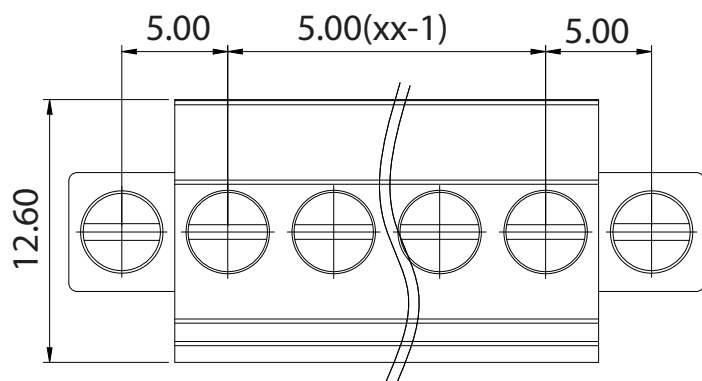
Housing	PA66 UL94V0
Pin	
Cage	Copper Alloy, Ni plated
Screws	M3 steel, Zn plated
Side Block	
Nut screw	M2.5 steel, Zn plated
Clamp	Phosphore bronze, Ni plated

General description of ordering code

Series	n. Poles	Pitch	Version	Color	Custom
CRV	02÷24	-5	-LF		

Version Date

01/24 04/07/24



euro-block



linear dimension (Tolerances Standard GB/T 14486-2008)										UNITS: mm			
variable range	to 6	over 6 to 10	over 10 to 30	over 30 to 60	over 60 to 100	over 100 to 160	over 160 to	to 10	over 10 to 100	over 100 to	SCALE: 10:1		
tolerance	±0.20	±0.30	±0.50	±0.70	±1.00	±1.30	±1.60	0.10	0.30	0.60	SHEET SIZE: ISO A4		



First angle projection

CRV-5-LF