

Approvals



15A-300V
not approved

Electrical

Rated voltage	250v
Rated current	16A
Contact resistance	20Ω
Insulation resistance	500MΩ/DC500V
Withstanding voltage	AC2000V/1 min
Wire range	---
Torque	---
Temp. Range	-40°C + 105°C
Stripping length	---
Max sold. time	+250°C for 5 sec.

Dimensions

Pitch	7.62
Poles	2÷24

Material

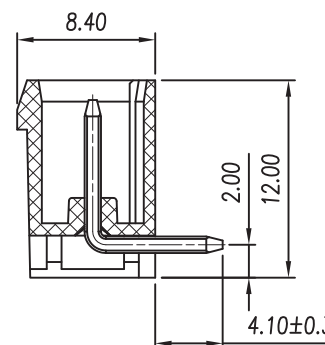
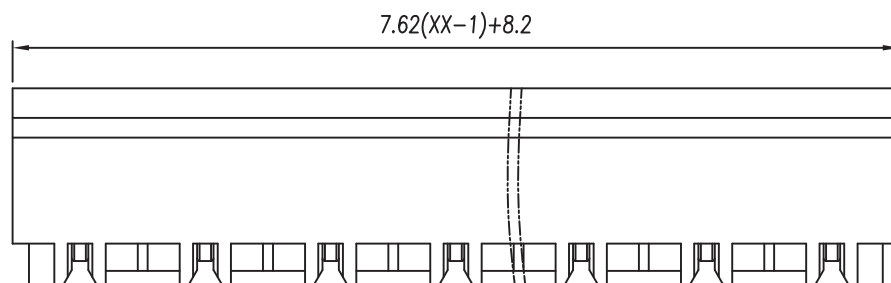
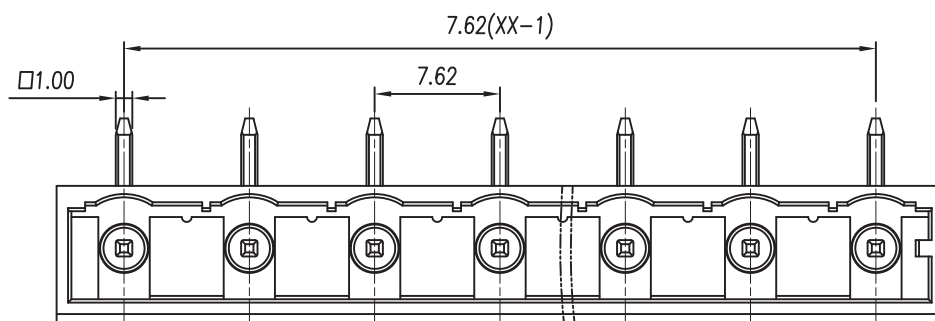
Housing	PA66 UL94V0
Pin	---
Cage	---
Screws	---
Side Block	---
Nut screw	Copper alloy, Tin plated
Clamp	---

General description of ordering code

Series	n. Poles	Pitch	Version	Color	Custom
CMP2	02÷24	-7.62	-CH		

Version Date

18/01 29/01/18



euro-block



UNITS: mm

SHEET SIZE: ISO A4

SCALE: 2.5:1

> 0 ~ 3

> 3 ~ 18

> 18 ~ 50

> 50 ~ 120

± 0.12

± 0.15

± 0.3

± 0.5



First angle projection

CMP2-7.62-CH