

Approvals



15A-300V
not approved

Electrical

Rated voltage 450V
 Rated current 20A
 Contact resistance 20mΩ
 Insulation resistance 500MΩ/DC500V
 Withstanding voltage AC 2000V/1 min
 Wire range 28-14 AWG 2,5mm2

Torque 0,5Nm(4.5Lb in)
 Temp. Range -40°C + 105°C
 Stripping lenght 7mm
 Max sold. time

Dimensions

Pitch 5,08mm
 Poles 6÷24

Material

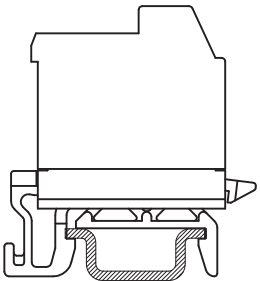
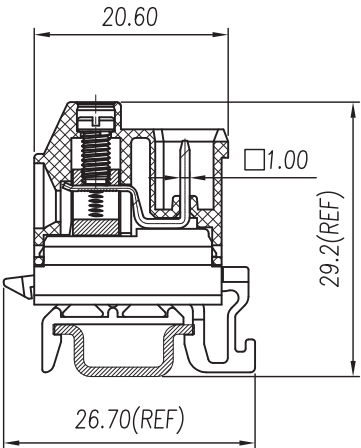
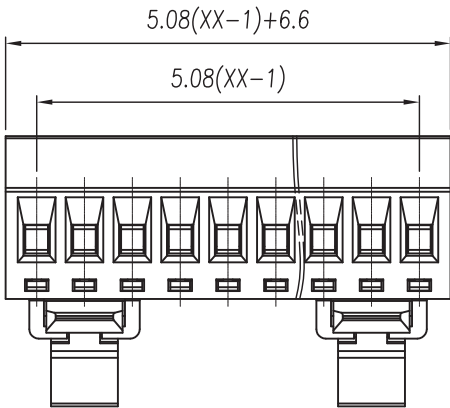
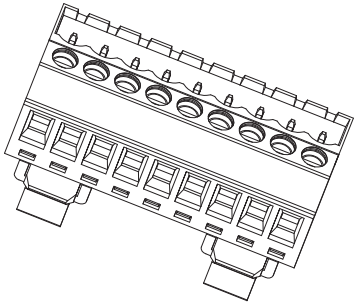
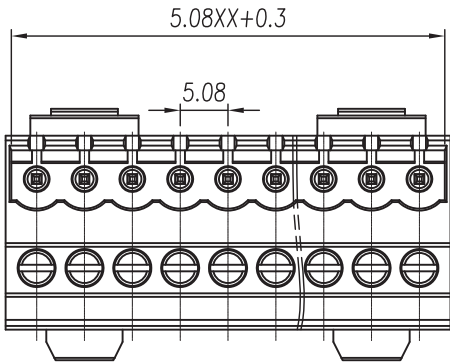
Housing PA66 UL94V0
 Pin Copper Alloy, Ni plated
 Cage Copper Alloy, Ni plated
 Screws M3 Steel, Zn plated
 Side Block
 Nut screw
 Clamp

General description of ordering code

Series	n. Poles	Pitch	Version	Color	Custom
PCPS	06÷24	-5.08			

Version Date

17/01 08/09/17



euro-block



UNITS: mm

SHEET SIZE: ISO A4

SCALE: 10:1

> 0 ~ 3
± 0.12

> 3 ~ 18
± 0.15

> 18 ~ 50
± 0.3

> 50 ~ 120
± 0.5



First angle projection

PCPS-5.08