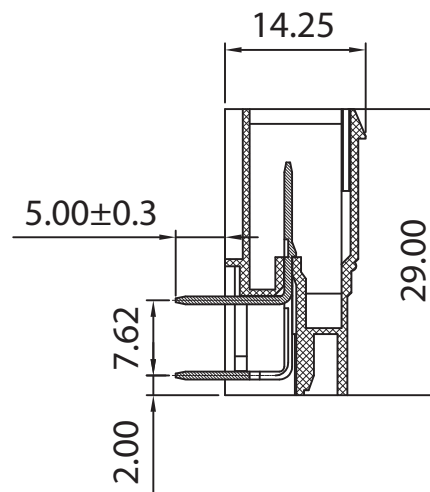
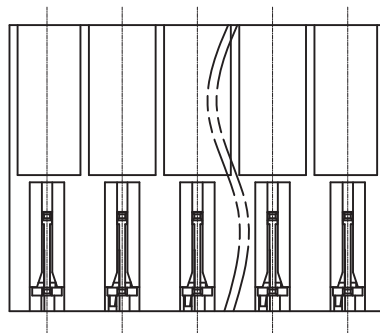
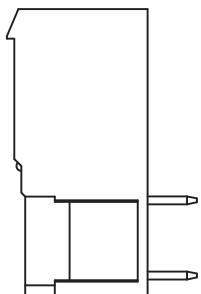
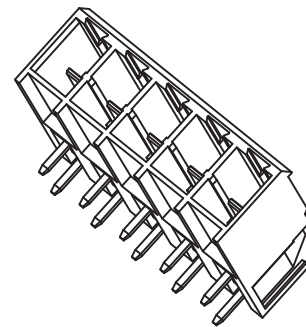
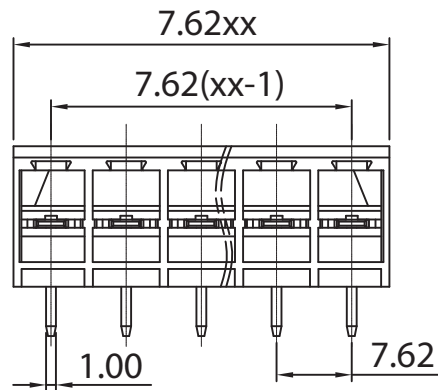


p.c.b. layout



Approvals



30A - 300V
not approved

Electrical

Rated voltage	400V
Rated current	32A
Contact resistance	20mΩ
Insulation resistance	500MΩ/DC500V
Withstanding voltage	AC3000V/1 min
Wire range	---
Torque	---
Temp. Range	-40°C + 105°C
Stripping length	---
Max sold. time	+250°C for 5 sec.

Dimensions

Pitch	7.62
Poles	2±12

Material

Housing	PA66 UL94V0
Pin	---
Cage	---
Screws	---
Side Block	---
Nut screw	---
Clamp	Brass, Tin plated

General description of ordering code

Series	n. Poles	Pitch	Version	Color	Custom
CMP	02±12	-7.62	-CH		

Version Date

21/01 17/06/2021



euro-block



UNITS: mm

SHEET SIZE: ISO A4

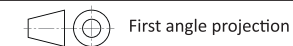
SCALE: 1.2:1

> 0 ~ 3
± 0.12

> 3 ~ 18
± 0.15

> 18 ~ 50
± 0.3

> 50 ~ 120
± 0.5



CMP-7.62-CH