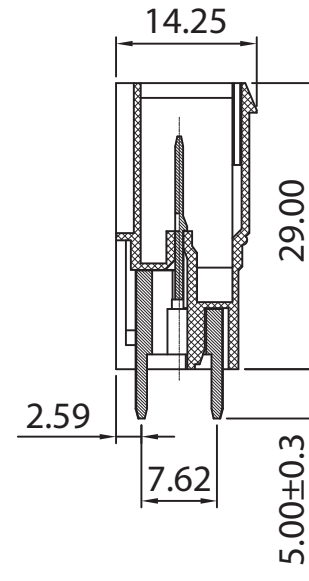
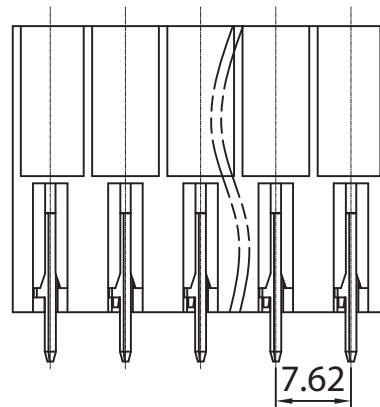
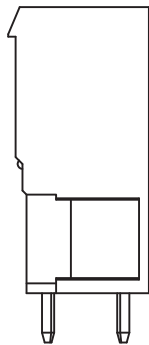
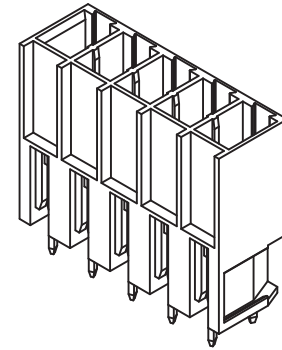
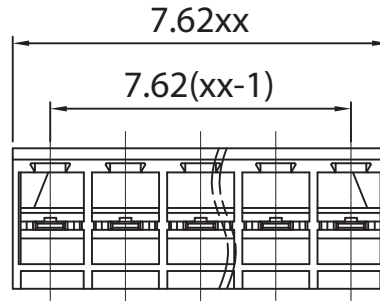


p.c.b. layout



**Approvals**



30A - 300V  
not approved

**Electrical**

Rated voltage	400V
Rated current	32A
Contact resistance	20mΩ
Insulation resistance	500MΩ/DC500V
Withstanding voltage	AC3000V/1 min
Wire range	---
Torque	---
Temp. Range	-40°C + 105°C
Stripping length	---
Max sold. time	+250°C for 5 sec.

**Dimensions**

Pitch	7.62
Poles	2÷12

**Material**

Housing	PA66 UL94V0
Pin	---
Cage	---
Screws	---
Side Block	---
Nut screw	---
Clamp	Brass, Tin plated

**General description of ordering code**

Series	n. Poles	Pitch	Version	Color	Custom
CMP	02÷12	-7.62	-CV		

**Version Date**

21/01 17/06/2021



**euro-block**



**UNITS:** mm

**SHEET SIZE:** ISO A4

**SCALE:** 1.2:1

> 0 ~ 3

> 3 ~ 18

> 18 ~ 50

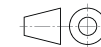
> 50 ~ 120

± 0.12

± 0.15

± 0.3

± 0.5



First angle projection

**CMP-7.62-CV**