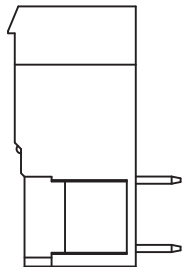
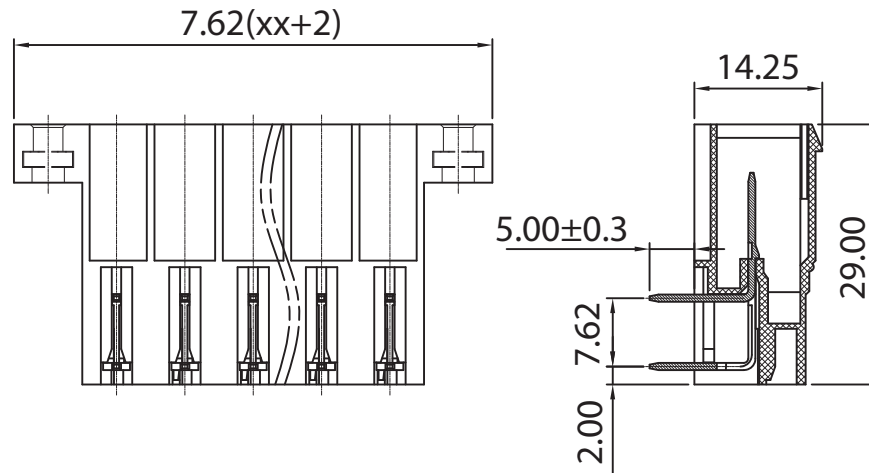
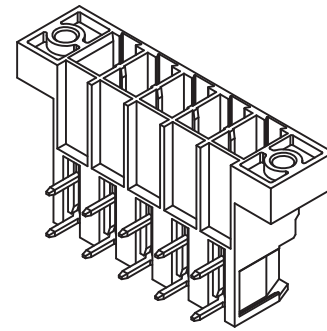
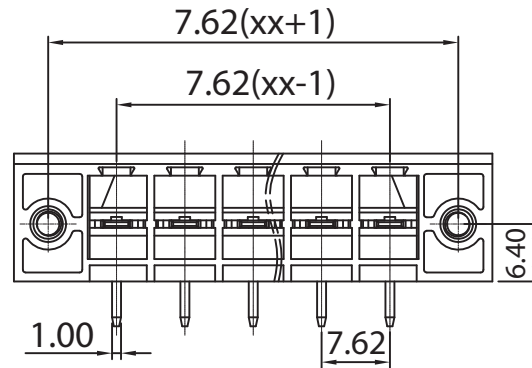


p.c.b. layout



**Approvals**



30A - 300V  
not approved

**Electrical**

Rated voltage	400V
Rated current	32A
Contact resistance	20mΩ
Insulation resistance	500MΩ/DC500V
Withstanding voltage	AC2000V/1 min
Wire range	---
Torque	---
Temp. Range	-40°C + 105°C
Stripping length	---
Max sold. time	+250°C for 5 sec.

**Dimensions**

Pitch	7.62
Poles	2±10

**Material**

Housing	PA66 UL94V0
Pin	Copper alloy, Sn plated
Cage	---
Screws	---
Side Block	---
Nut screw	Steel, Zn plated
Clamp	---

**General description of ordering code**

Series	n. Poles	Pitch	Version	Color	Custom
CMP	02±10	-7.62	-HF		

**Version Date**

21/01 17/06/2021



**euro-block**



UNITS: mm

SHEET SIZE: ISO A4

SCALE: 1.2:1

> 0 ~ 3

> 3 ~ 18

> 18 ~ 50

> 50 ~ 120

± 0.12

± 0.15

± 0.3

± 0.5



First angle projection

**CMP-7.62-HF**