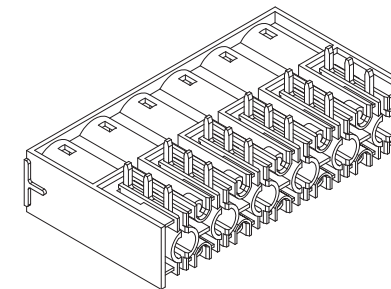
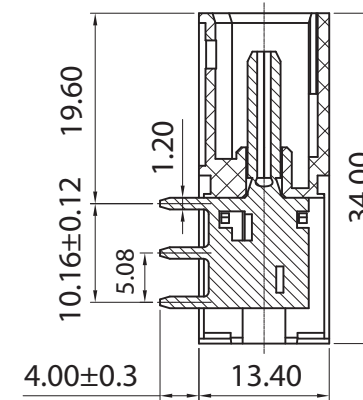
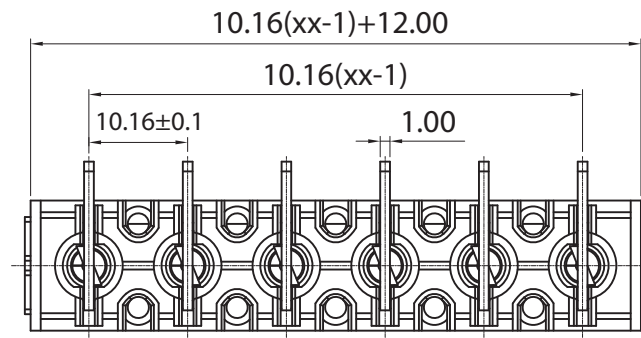
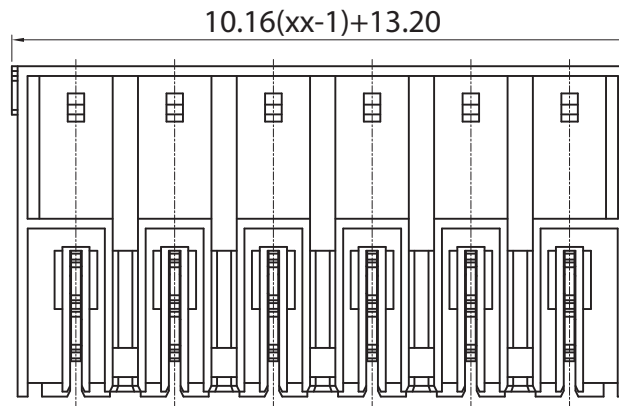


p.c.b. layout



Approvals



55A-300V
not approved

Electrical

Rated voltage	1000V
Rated current	76A
Contact resistance	20mΩ
Insulation resistance	500MΩ/DC500V
Withstanding voltage	AC3500V/1 min
Wire range	---
Torque	---
Temp. Range	-40°C + 105°C
Stripping length	---
Max sold. time	+250°C for 5 sec.

Dimensions

Pitch	10.16 mm
Poles	2÷12

Material

Housing	PA66 UL94V0
Pin	Copper Alloy, Sn plated
Cage	---
Screws	---
Side Block	---
Nut screw	---
Clamp	---

General description of ordering code

Series	n. Poles	Pitch	Version	Color	Custom
CMP	02÷12	-10.16	-CH		

Version Date

21/01 17/06/2021



euro-block



UNITS: mm

SHEET SIZE: ISO A4

SCALE: 3:2

> 0 ~ 3

> 3 ~ 18

> 18 ~ 50

> 50 ~ 120

± 0.12

± 0.15

± 0.3

± 0.5



First angle projection

CMP-10.16-CH