

**Approvals**



**Electrical**

Rated voltage  
 Rated current  
 Contact resistance  
 Insulation resistance  
 Withstanding voltage  
 Wire range

Torque  
 Temp. Range  
 Stripping length  
 Max sold. time

**Dimensions**

Pitch for pitch 3.5 and 3.81  
 Poles

**Material**

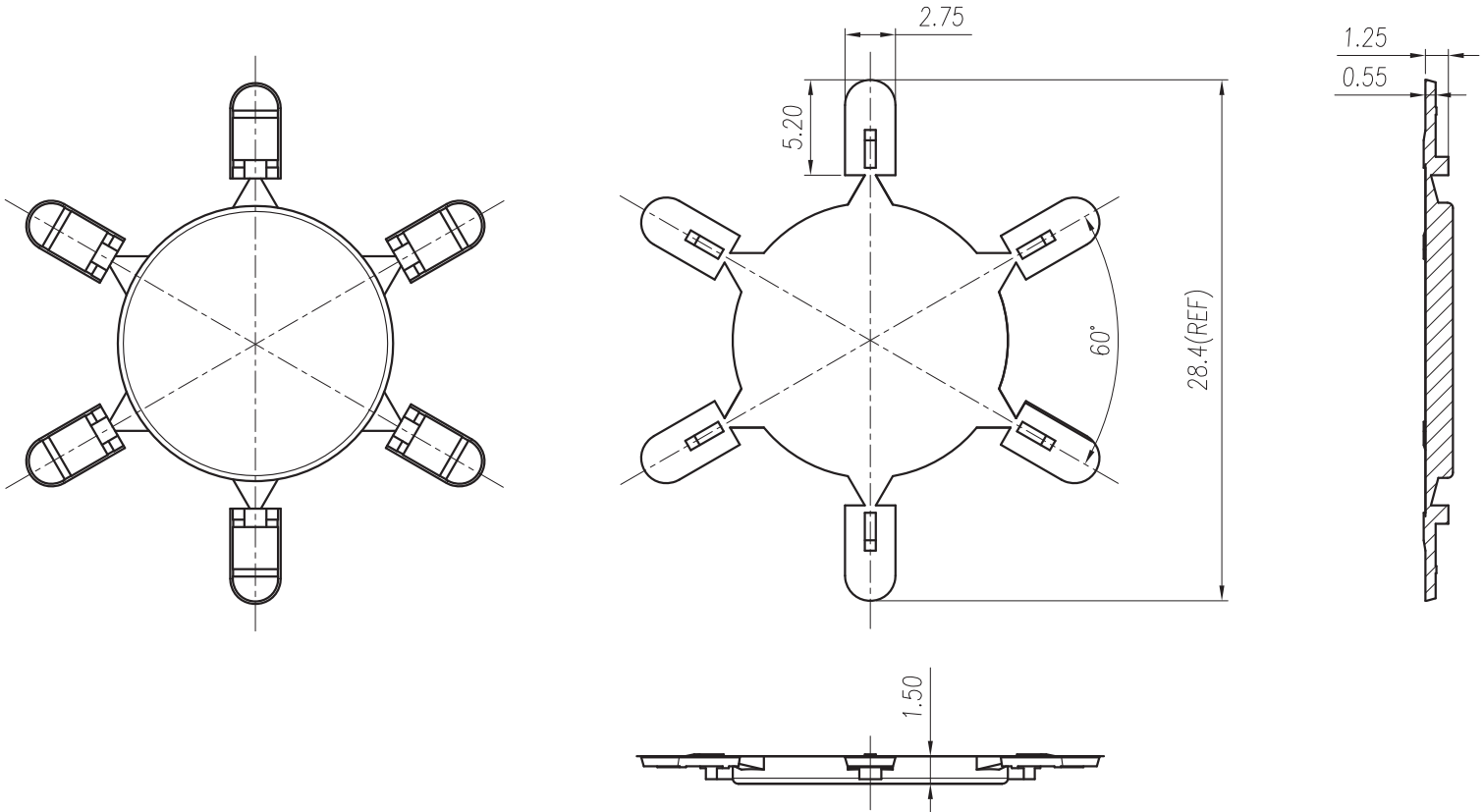
Housing PA66 UL94V0  
 Pin  
 Cage  
 Screws  
 Side Block  
 Nut screw  
 Clamp

**General description of ordering code**

Series	n. Poles	Pitch	Version	Color	Custom
SCCCM1					

**Version Date**

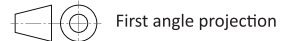
19/01 01/07/19



**euro-block**



linear dimension (Tolerances Standard GB/T 14486-2008)									UNITS: mm		
variable range	to 6	over 6 to 10	over 10 to 30	over 30 to 60	over 60 to 100	over 100 to 160	over 160 to	to 10	over 10 to 100	over 100 to	SCALE: 10:1
tolerance	±0.20	±0.30	±0.50	±0.70	±1.00	±1.30	±1.60	0.10	0.30	0.60	SHEET SIZE: ISO A4



**SCCCM1**