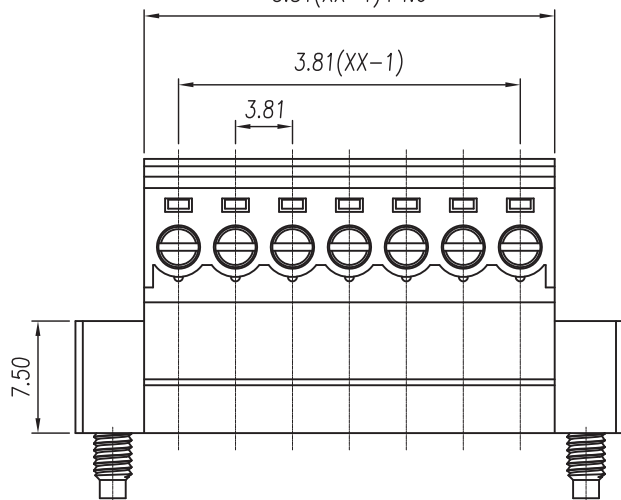


$$3.81(XX-1)+4.6$$

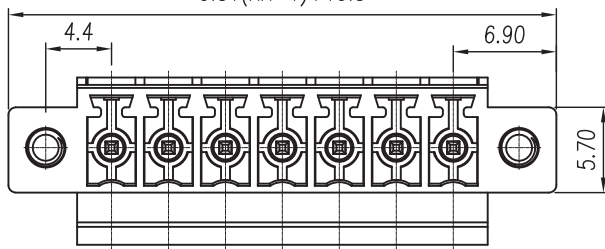
$$3.81(XX-1)$$

$$3.81$$



$$7.50$$

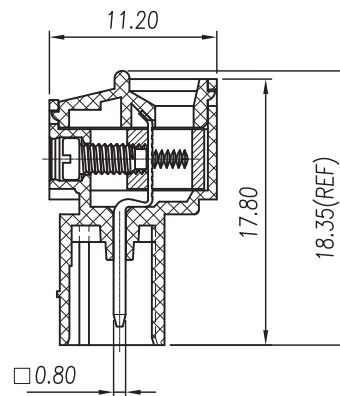
$$3.81(XX-1)+13.8$$



$$4.4$$

$$6.90$$

$$5.70$$

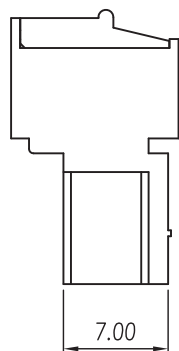


$$11.20$$

$$17.80$$

$$18.35(REF)$$

$$\square 0.80$$



$$7.00$$

Approvals



8A-300V

not approved

Electrical

Rated voltage	250V
Rated current	10A
Contact resistance	20mΩ
Insulation resistance	500MΩ/DC500V
Withstanding voltage	AC2000V/1 min
Wire range	28-16AWG 1,5 sqmm

Torque	0,2Nm(1.77 Lb In)
Temp. Range	-40°C + 105°C
Stripping length	6mm
Max sold. time	

Dimensions

Pitch	3,81 mm
Poles	2÷24

Material

Housing	PA66 UL94V0
Pin	Copper Allo, Ni plated
Cage	Copper Alloy, Ni plated
Screws	M2 Steel, Zn plated
Side Block	
Nut screw	M2,5 Steel, Zn plated
Clamp	

General description of ordering code

Series	n. Poles	Pitch	Version	Color	Custom
CRS	02÷24	-3.81	-F	mod	mod

Version Date

17/01 17/05/17



euro-block



UNITS: mm

SHEET SIZE: ISO A4

SCALE: 10:1

> 0 ~ 3

> 3 ~ 18

> 18 ~ 50

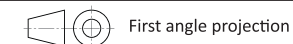
> 50 ~ 120

± 0.12

± 0.15

± 0.3

± 0.5



CRS-3.81-F