

**Approvals**



10A - 300V

**Electrical**

Rated voltage	250V
Rated current	12A
Contact resistance	20mΩ
Insulation resistance	500MΩ/DC500V
Withstanding voltage	AC1600V/1 min
Wire range	28-16AWG 1,5mm <sup>2</sup>
Torque	0,4Nm(3.6 Lbln)
Temp. Range	-40°C + 105°C
Stripping length	5mm
Max sold. time	

**Dimensions**

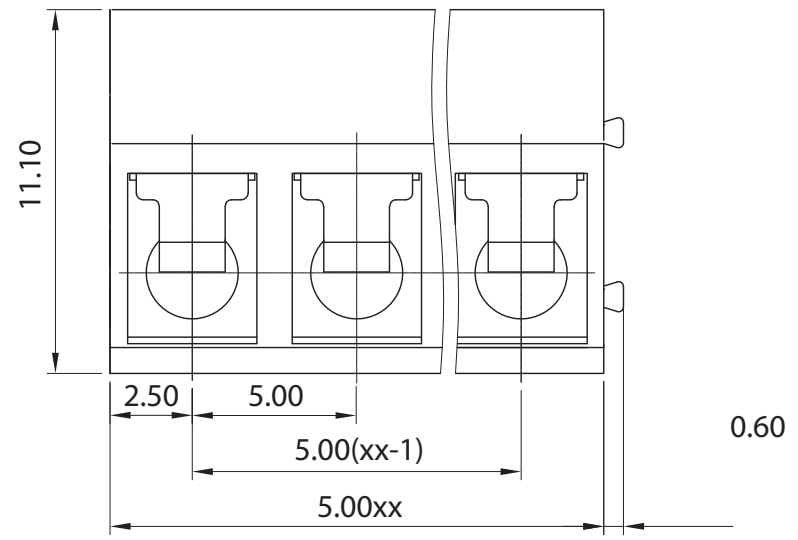
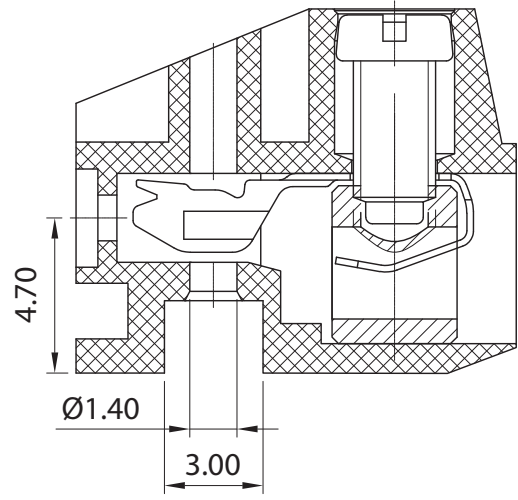
Pitch	5 mm
Poles	2÷24

**Material**

Housing	PA66 UL94V0
Pin	
Cage	Copper Alloy, Ni plated
Screws	M2,5 Steel Zn plated
Side Block	
Nut screw	
Clamp	Copper Alloy, Ni plated

**General description of ordering code**

Series	n. Poles	Pitch	Version	Color	Custom
CLF	02÷24	-5			



**Version Date**

21/01 18/05/2021



**euro-block**

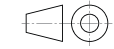


**UNITS:** mm

**SHEET SIZE:** ISO A4

**SCALE:** 10:1

> 0 ~ 3	> 3 ~ 18	> 18 ~ 50	> 50 ~ 120
± 0.12	± 0.15	± 0.3	± 0.5



First angle projection

**CLF-5**