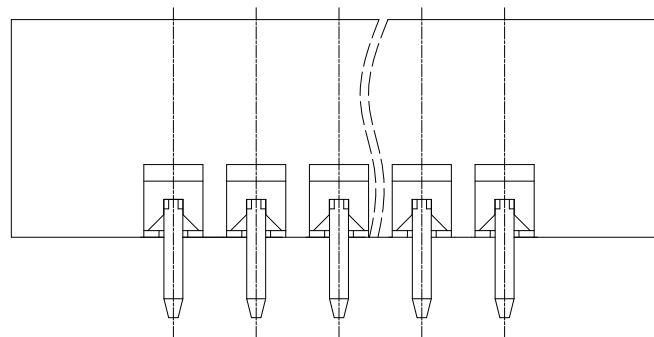
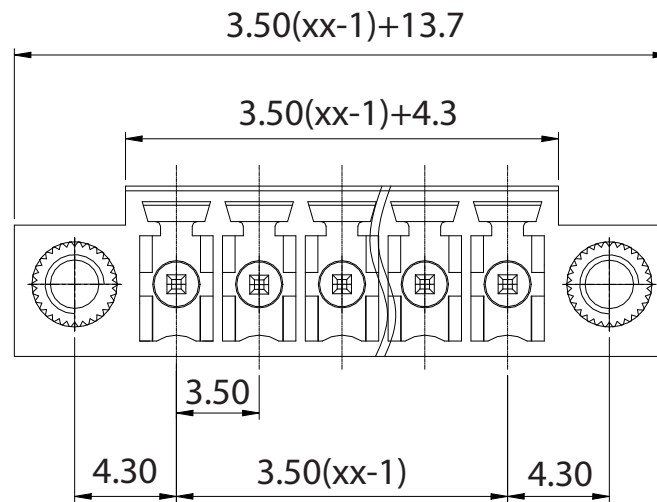
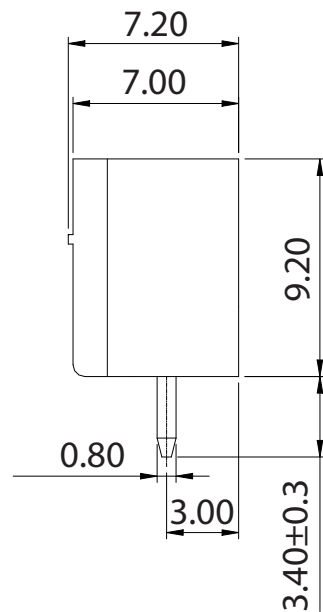


p.c.b. layout



Approvals



8 A-300V

7A-250V

Electrical

Rated voltage 250V
 Rated current 7A
 Contact resistance 20m Ω
 Insulation resistance 500M Ω /DC500V
 Withstanding voltage AC1600V1 min
 Wire range

Torque
 Temp. Range -40°C+105°C
 Stripping length
 Max sold. time +250°C for 5 sec

Dimensions

Pitch 3,50 mm
 Poles 02 \pm 22

Material

Housing PA66 UL94V0
 Pin Copper Alloy, tin plated
 Cage
 Screws
 Side Block
 Nut screw
 Clamp

General description of ordering code

Series	n. Poles	Pitch	Version	Color	Custom
CCM	02 \pm 22	-3.5	-VF		

Version Date

01/22

08/02/2022



euro-block



UNITS: mm

SHEET SIZE: ISO A4

SCALE: 10:1

> 0 ~ 3

> 3 ~ 18

> 18 ~ 50

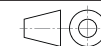
> 50 ~ 120

± 0.12

± 0.15

± 0.3

± 0.5



First angle projection

CCM-3.5-VF