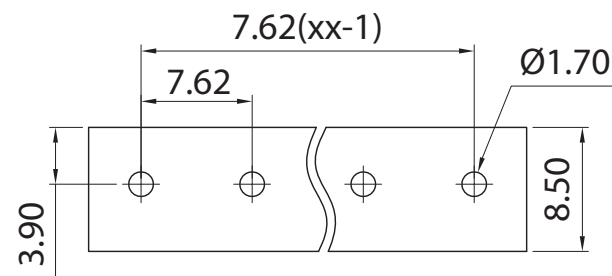
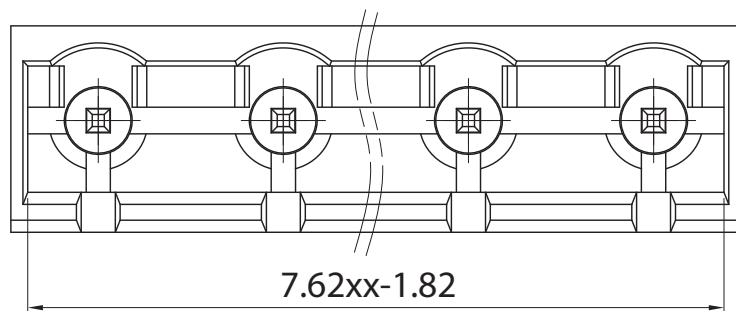


Section: A-A



p.c.b. layout

Approvals



15A-300V  
15A-400V

Electrical

Rated voltage 400V  
Rated current 15A  
Contact resistance 20mΩ  
Insulation resistance 500MΩ/DC500V  
Withstanding voltage AC1600V/1min  
Wire range  
  
Torque  
Temp. Range -40°C +105°C  
Stripping length  
Max sold. time +250°C for 5 sec

Dimensions

Pitch 7,62 mm  
Poles 2÷24

Material

Housing PA66 UL94V0  
Pin Copper Alloy, Sn plated  
Cage  
Screws  
Side Block  
Nut screw  
Clamp

General description of ordering code

Series	n. Poles	Pitch	Version	Color	Custom
CCM	02÷24	-7.62	-CV		

Version Date

01/22 16/12/2022



euro-block



linear dimension (Tolerances Standard GB/T 14486-2008)

variable range	to 6	over 6 to 10	over 10 to 30	over 30 to 60	over 60 to 100	over 100 to 160	over 160 to	to 10	over 10 to 100	over 100 to
tolerance	±0.20	±0.30	±0.50	±0.70	±1.00	±1.30	±1.60	0.10	0.30	0.60

UNITS: mm

SCALE: 10:1

SHEET SIZE: ISO A4



First angle projection

CCM-7.62-CV