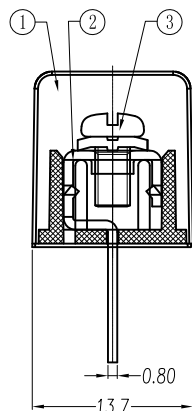
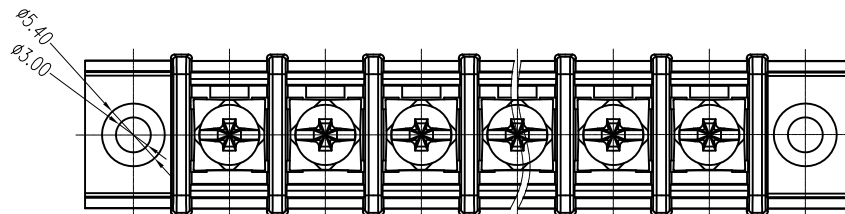
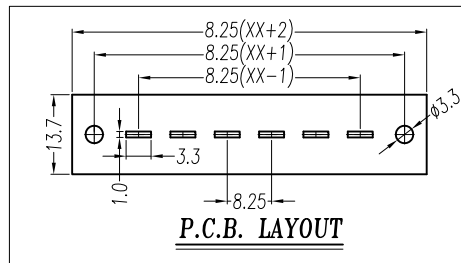
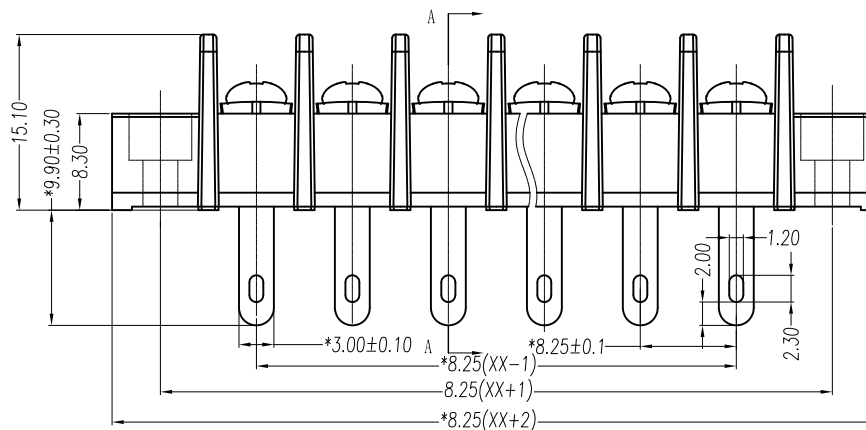


euro-block

product specification



SECTION A-A



Approvals

UL-cUL not approved
VDE not approved

Electrical

Standard
Rated voltage 450V
Rated current 24A
Contact resistance 20mΩ
Insulation resistance 500MΩ/DC500V
Withstanding voltage AC 2000V/1 min
Wire range 22-14 AWG 1,5 sqmm

Torque 0,5Nm (4,5 Lb in)
Temp. Range -40°C + 105°C
Stripping length
Max sold. time +250°C for 5 sec

Dimensions

Pitch 8,25 mm
Poles 2÷24

Material

Housing PA66 UL94-V0
Pin Copper alloy, tin plated
Clamp M3 Steel, Ni plated
Screws
Slide Block
Nut screw

Versione/Version

16/01

Data/Date

23/09/16

General description of ordering code

Series	n. poles	pitch	version	color	custom
BST81	2÷24	-8.25	-FF		

UNITS:mm SIZE: A4

ELDECO SRL - TORINO (ITALY)

Series:

BST81-8.25-FF