

Approvals



10A-300V



Electrical

Rated voltage 130V
 Rated current 10A
 Contact resistance 20mΩ
 Insulation resistance 500MΩ/DC500V
 Withstanding voltage AC200V/1 min
 Wire range 28-14AWG 1,5mm²

Torque
 Temp. Range -40°C+105°C
 Stripping length 8 mm
 Max sold. time

Dimensions

Pitch 3,5mm
 Poles 2÷24

Material

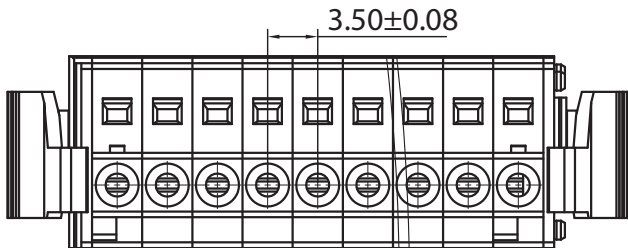
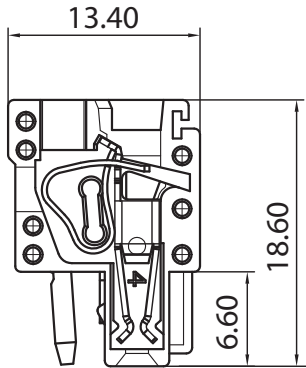
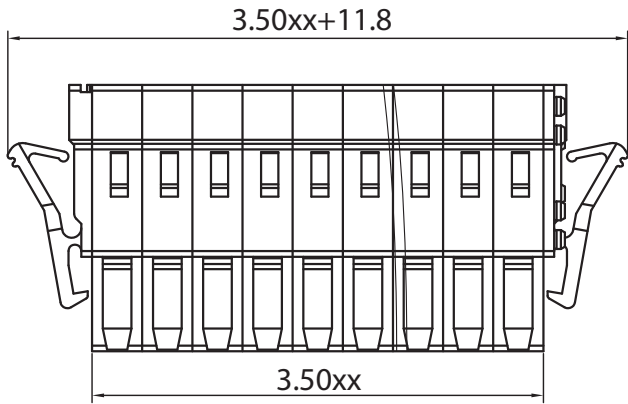
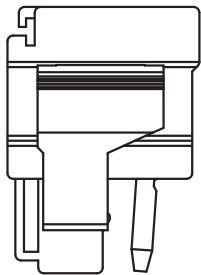
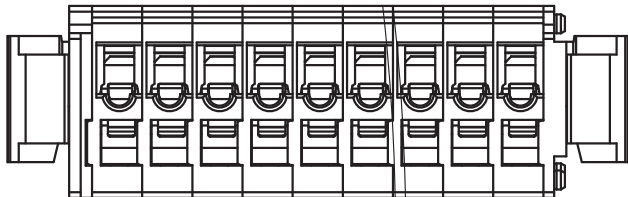
Housing PA66 UL94V0
 Pin Copper Alloy, tin plated
 Cage
 Screws
 Side Block
 Nut screw
 Clamp Stainless Steel

General description of ordering code

Series	n. Poles	Pitch	Version	Color	Custom
CFP1	02÷24	-3.5	-EJ		

Version Date

21/01 28/04/2021



euro-block



UNITS: mm

SHEET SIZE: ISO A4

SCALE: 10:1

> 0 ~ 3

> 3 ~ 18

> 18 ~ 50

> 50 ~ 120

± 0.12

± 0.15

± 0.3

± 0.5



First angle projection

CFP1-3.5-EJ