

Approvals



15A-300V



Electrical

Rated voltage 450V
 Rated current 20A
 Contact resistance 20mΩ
 Insulation resistance 500MΩ/DC500V
 Withstanding voltage AC2000V/1 min
 Wire range 28-14 AWG 2,5mm²

Torque 0,5Nm(4.5Lb.in)
 Temp. Range -40°C+105°C
 Stripping length 7 mm
 Max sold. time

Dimensions

Pitch 5,08mm
 Poles 6÷24

Material

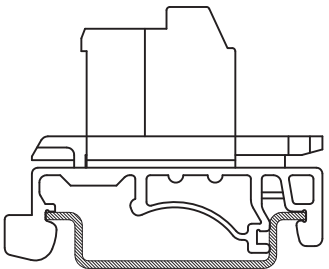
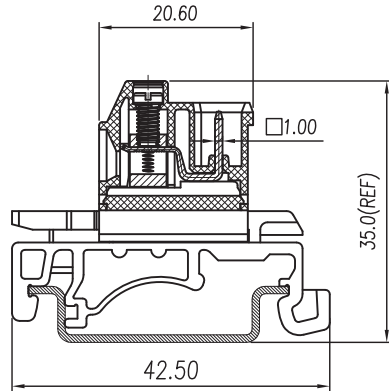
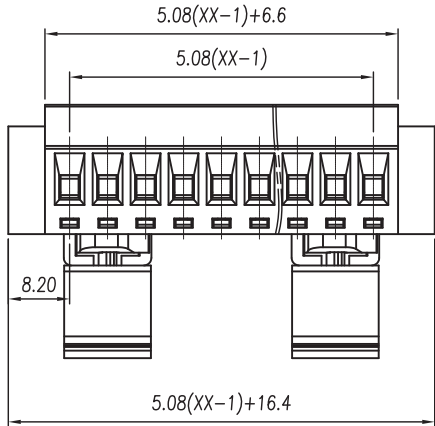
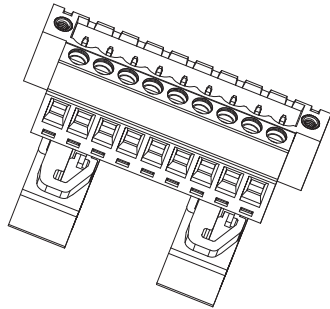
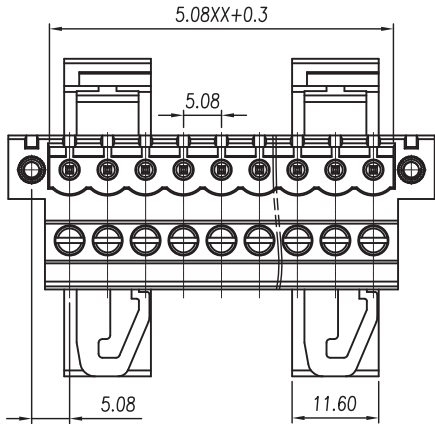
Housing PA66 UL94V0
 Pin Copper Alloy, Ni plated
 Cage Copper Alloy, Ni plated
 Screws M3 steel Zn plated
 Side Block
 Nut screw Copper Alloy
 Clamp

General description of ordering code

Series	n. Poles	Pitch	Version	Color	Custom
GCPS	06÷24	-5.08	-F		

Version Date

17/01 08/09/17



euro-block



UNITS: mm

SHEET SIZE: ISO A4

SCALE: 10:1

> 0 ~ 3

> 3 ~ 18

> 18 ~ 50

> 50 ~ 120

± 0.12

± 0.15

± 0.3

± 0.5



First angle projection

GCPS-5.08-F