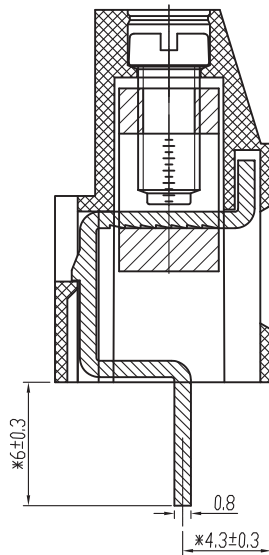
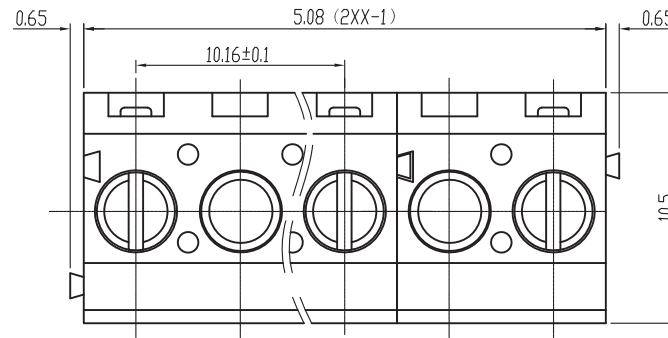
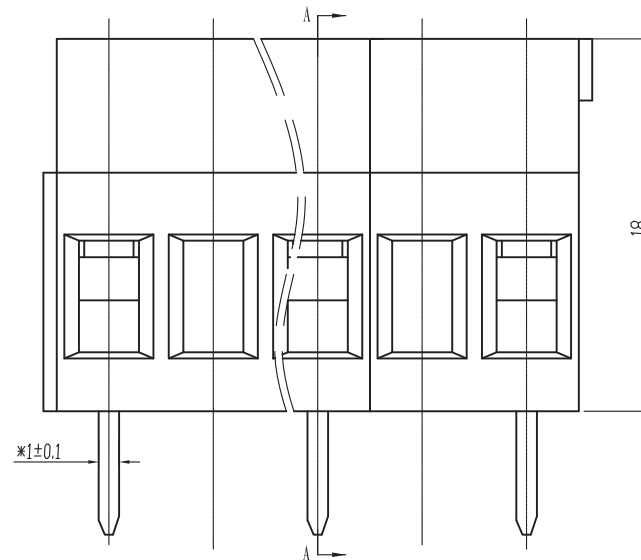


**P.C.B. LAYOUT**



SECTION: A-A



**Approvals**



16A-300V  
not approved

**Electrical**

Rated voltage 250V  
Rated current 25A  
Contact resistance 20mΩ  
Insulation resistance 500MΩ/DC500V  
Withstanding voltage AC2000V/1min  
Wire range 26-12 AWG 2,5mm2  
  
Torque 0,5Nm (4.5Lb in)  
Temp. Range -40°C +105°C  
Stripping length 7 mm  
Max sold. time +250°C for 5 sec

**Dimensions**

Pitch 10,16 mm  
Poles 2÷24

**Material**

Housing PA66 UL94V0  
Pin Copper Alloy, Sn plated  
Cage Copper Alloy, Ni plated  
Screws M3 steel, Zn plated  
Side Block  
Nut screw  
Clamp

**General description of ordering code**

Series	n. Poles	Pitch	Version	Color	Custom
MRA52	2÷24	-10.16	-V		

**Version Date**

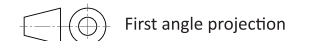
19/01 25/01/19



**euro-block**



linear dimension (Tolerances Standard GB/T 14486-2008)										UNITS: mm			
variable range	to 6	over 6 to 10	over 10 to 30	over 30 to 60	over 60 to 100	over 100 to 160	over 160 to	to 10	over 10 to 100	over 100 to	SCALE: 10:1		
tolerance	±0.20	±0.30	±0.50	±0.70	±1.00	±1.30	±1.60	0.10	0.30	0.60	SHEET SIZE: ISO A4		



**MRA52-10.16-V**