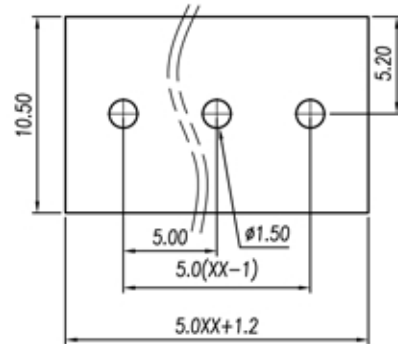
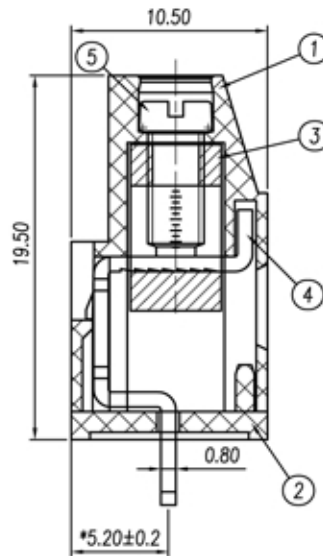
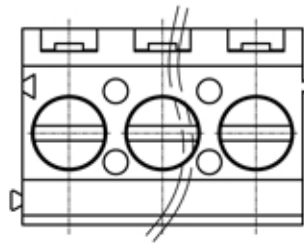


euro-block

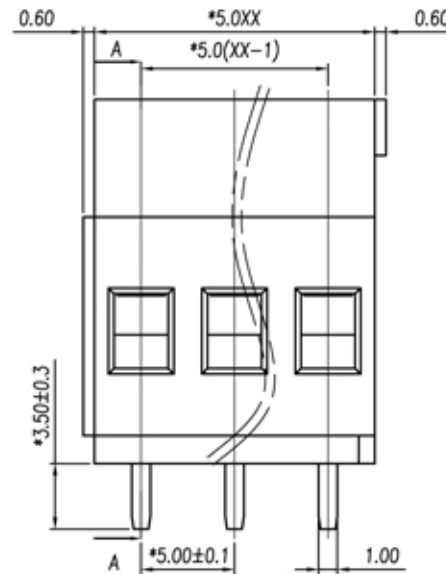
product specification



P.C.B. LAYOUT



SECTION:A-A



Approvals

UL-cUL 16A - 300V
VDE not approved

Electrical

Standard
Rated voltage 250V
Rated current 20A
Contact resistance 20mΩ
Insulation resistance 500MΩ/DC500V
Withstanding voltage AC 2000V/1 min
Wire range 2,5 sqmm - 26÷12

Torque 0,5Nm(4,5 Lb.in)
Temp. Range -40°C + 105°C
Strippinglength 7 mm
Max sold. time +250°C for 5 sec.

Dimensions

Pitch 5 mm
Poles 2 ÷ 24

Material

Housing PA66, UL94 V0
Pin Brass, tin plated
Screws M3.0 Steel Zn. plated
Slide Block
Nut screw
Clamp Brass, Ni plated

Version/Version

2014/1

Data/Date

18/11/14

General description of ordering code

Series	n. poles	pitch	version	color	custom
MRA52	2 ÷ 24	-5	-V		-BC

UNITS:mm SIZE: A4

ELDECO SRL - TORINO (ITALY)

Series:

MRA52-5-V-BC