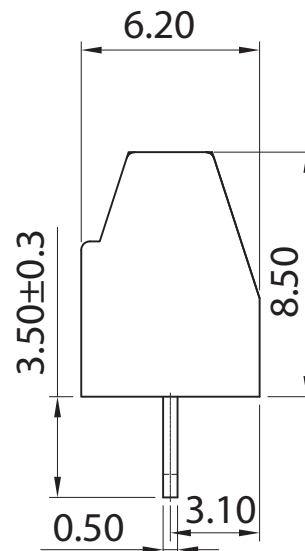
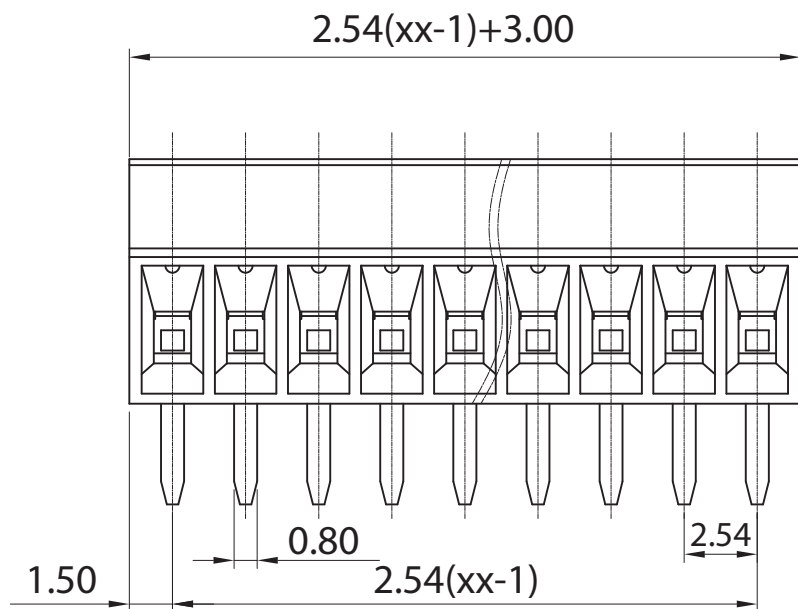


p.c.b. layout



Approvals



7A - 150V
not approved

Electrical

Rated voltage 130V
Rated current 8A
Contact resistance 20mΩ
Insulation resistance 500MΩ/DC500V
Withstanding voltage AC1300V/1 min
Wire range 1 mm2 26÷18 AWG

Torque 0,1Nm(1.02 Lb.In)
Temp. Range -40°C + 105°C
Stripping length ---
Max sold. time +250°C for 5 sec.

Dimensions

Pitch 2,54 mm
Poles 2÷24

Material

Housing PA66 UL94V0
Pin Brass, Tin plated
Cage Brass, Tin plated
Screws M1,6; Steel Zn plated
Side Block ---
Nut screw ---
Clamp ---

General description of ordering code

Series	n. Poles	Pitch	Version	Color	Custom
MRB21	2÷24	-2.54	-V		

Version Date

2020/01 30/04/2020



euro-block



UNITS: mm

SHEET SIZE: ISO A4

SCALE: 3:1

> 0 ~ 3

> 3 ~ 18

> 18 ~ 50

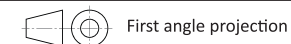
> 50 ~ 120

± 0.12

± 0.15

± 0.3

± 0.5



MRB21-2.54-V