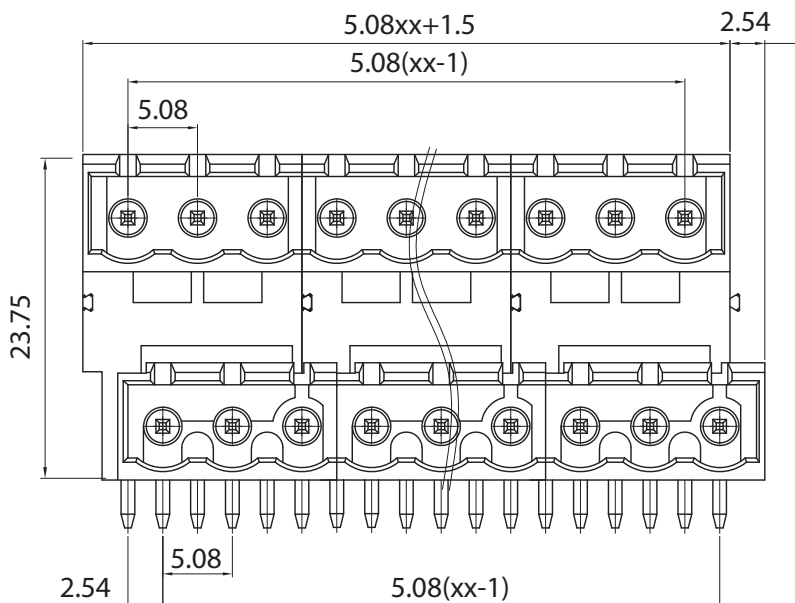
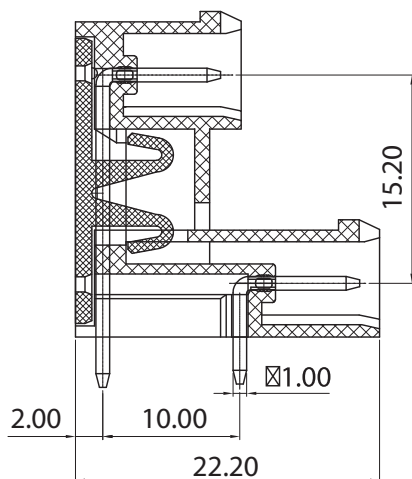
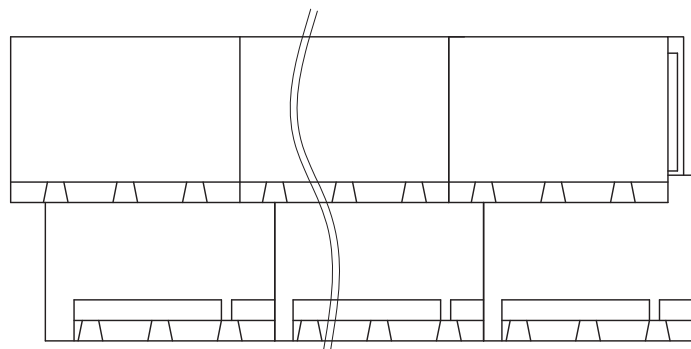


p.c.b. layout



Approvals



15A-300V

Electrical

Rated voltage	320V
Rated current	10A
Contact resistance	20mΩ
Insulation resistance	500MΩ/DC500V
Withstanding voltage	AC1600V1 min
Wire range	
Torque	
Temp. Range	-40°C+105°C
Stripping length	
Max sold. time	+250°C for 5 sec

Dimensions

Pitch	5.08 mm
Poles	2+2+3+3

Material

Housing	PA66 UL94V0
Pin	Copper Alloy, tin plated
Cage	
Screws	
Side Block	
Nut screw	
Clamp	

General description of ordering code

Series	n. Poles	Pitch	Version	Color	Custom
CMD	02÷24	-5.08	-CH		

Version Date

21/01 21/04/2021



euro-block



UNITS: mm

SHEET SIZE: ISO A4

SCALE: 10:1

> 0 ~ 3
± 0.12

> 3 ~ 18
± 0.15

> 18 ~ 50
± 0.3

> 50 ~ 120
± 0.5



First angle projection

CMD-5.08-CH