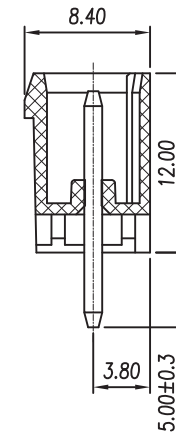
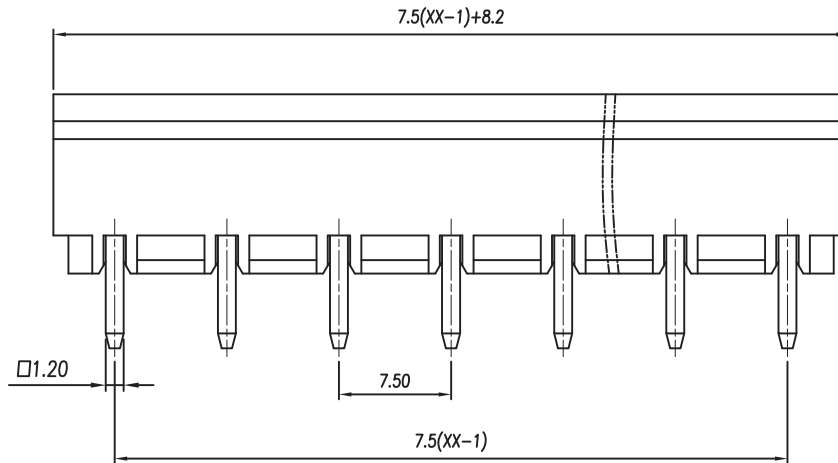
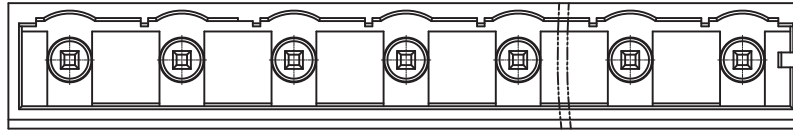


P.C.B. LAYOUT



Approvals



15A-300V
not approved

Electrical

Rated voltage 250v
 Rated current 16A
 Contact resistance 20Ω
 Insulation resistance 500MΩ/DC500V
 Withstanding voltage AC2000V/1 min
 Wire range ---
 Torque ---
 Temp. Range -40°C + 105°C
 Stripping length ---
 Max sold. time +250°C for 5 sec.

Dimensions

Pitch 7,5 mm
 Poles 2÷24

Material

Housing PA66 UL94V0
 Pin ---
 Cage ---
 Screws ---
 Side Block ---
 Nut screw Copper alloy, Tin plated
 Clamp ---

General description of ordering code

Series	n. Poles	Pitch	Version	Color	Custom
CMP2	02÷24	-7.5	-VP		

Version Date

18/01 07/02/18



euro-block



UNITS: mm

SHEET SIZE: ISO A4

SCALE: 2.5:1

> 0 ~ 3

> 3 ~ 18

> 18 ~ 50

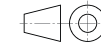
> 50 ~ 120

± 0.12

± 0.15

± 0.3

± 0.5



First angle projection

CMP2-7.5-VP