

Approvals



8A-250V

Electrical

Rated voltage	250V
Rated current	10A
Contact resistance	20mΩ
Insulation resistance	500MΩ/DC500V
Withstanding voltage	AC1600V/1min
Wire range	28-16 AWG 1mm <sup>2</sup>
Torque	0,4Nm (3.6Lb in)
Temp. Range	-40°C +105°C
Stripping length	7 mm
Max sold. time	

Dimensions

Pitch	3,5 mm
Poles	2÷24

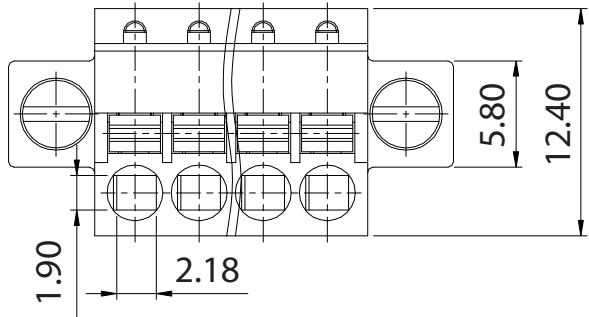
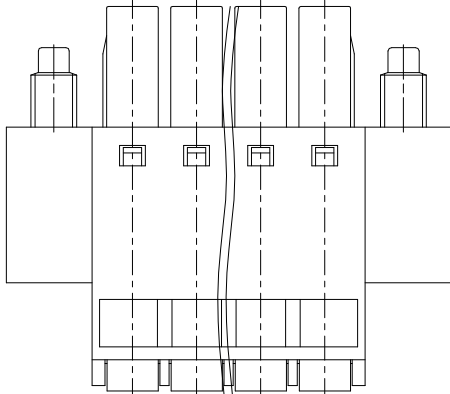
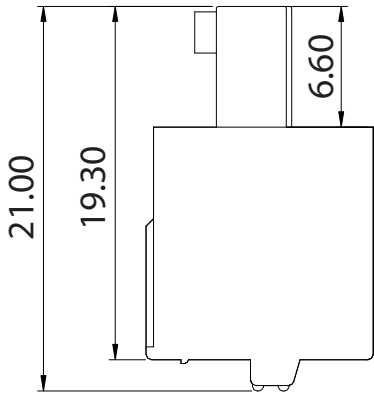
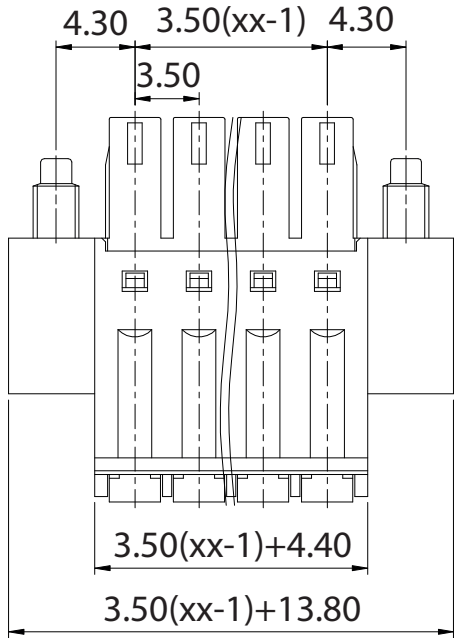
Material

Housing	PA66 UL94V0
Pin	
Cage	Stainless steel
Screws	
Side Block	
Nut screw	
Clamp	Phosphour Bronze, Ni plated

General description of ordering code

Series	n. Poles	Pitch	Version	Color	Custom
CFS	02÷24	-3.5	-F		

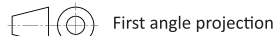
Version	Date
01/22	16/12/2022



euro-block



linear dimension (Tolerances Standard GB/T 14486-2008)										UNITS: mm	
variable range	to 6	over 6 to 10	over 10 to 30	over 30 to 60	over 60 to 100	over 100 to 160	over 160 to	to 10	over 10 to 100	over 100 to	SCALE: 10:1
tolerance	±0.20	±0.30	±0.50	±0.70	±1.00	±1.30	±1.60	0.10	0.30	0.60	SHEET SIZE: ISO A4



CFS-3.5-F