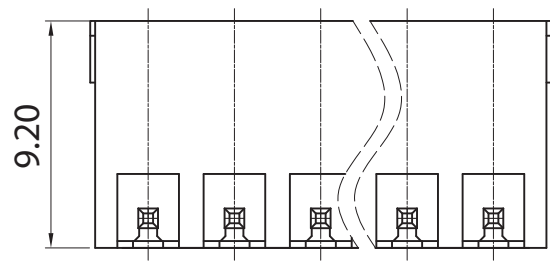
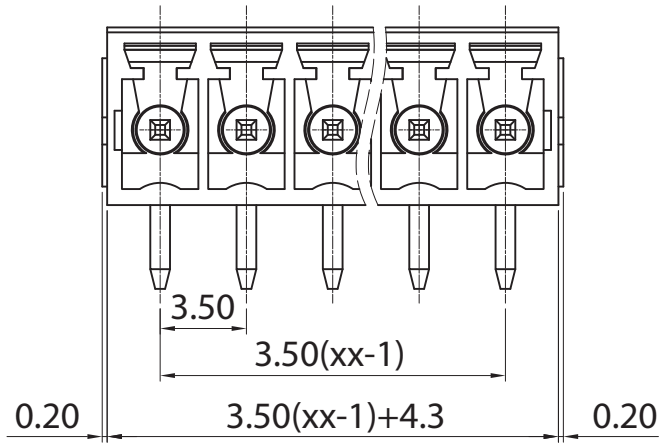
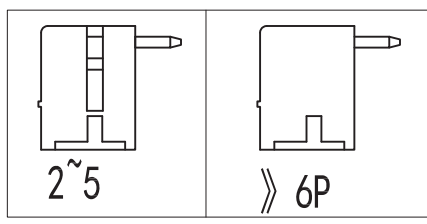
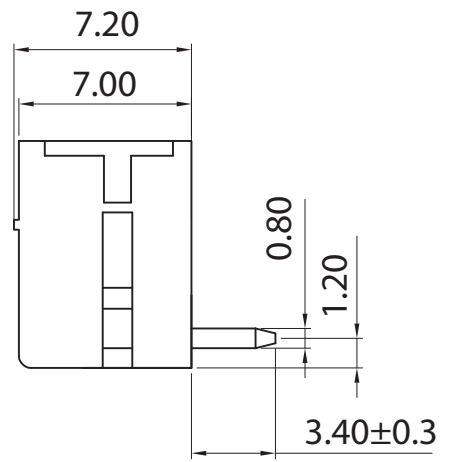


p.c.b. layout



**Approvals**



8 A-300V  
7A-250V

**Electrical**

Rated voltage	250V
Rated current	7A
Contact resistance	20mΩ
Insulation resistance	500MΩ/DC500V
Withstanding voltage	AC1600V1 min
Wire range	
Torque	
Temp. Range	-40°C+105°C
Stripping length	
Max sold. time	+250°C for 5 sec

**Dimensions**

Pitch	3,5 mm
Poles	2÷24

**Material**

Housing	PA66 UL94V0
Pin	Copper Alloy, tin plated
Cage	
Screws	
Side Block	
Nut screw	
Clamp	

**General description of ordering code**

Series	n. Poles	Pitch	Version	Color	Custom
CCM	02÷24	-3.5	-CH		

**Version Date**

21/01	20/05/2021
-------	------------



**euro-block**

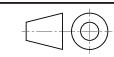


**UNITS:** mm

**SHEET SIZE:** ISO A4

**SCALE:** 10:1

> 0 ~ 3	> 3 ~ 18	> 18 ~ 50	> 50 ~ 120
± 0.12	± 0.15	± 0.3	± 0.5



First angle projection

**CCM-3.5-CH**