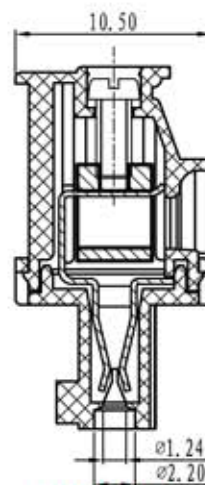
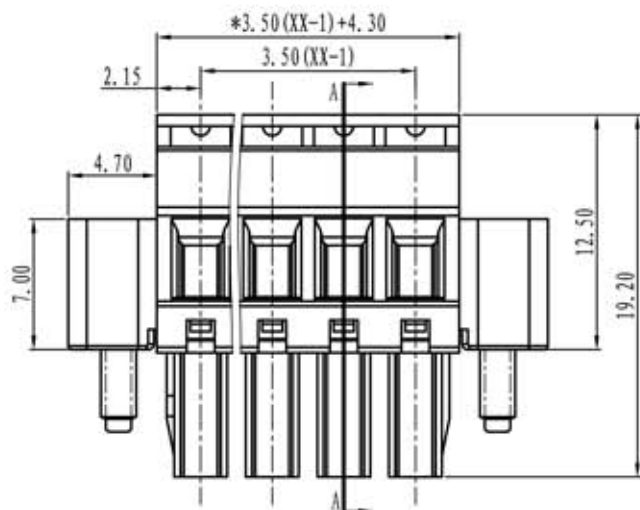
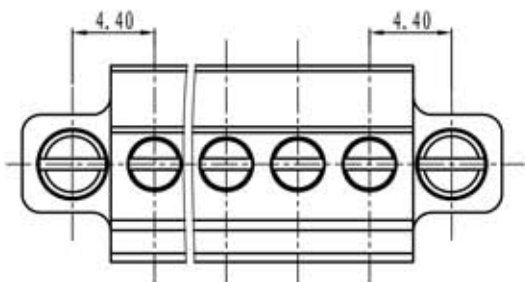


euro-block

product specification



SECTION A-A



Electrical

Standard: UL-IEC
 Rated voltage: 300V-250V
 Rated current: 8A-7A
 Contact resistance: 20m Ω
 Wire range: 28-16AWG 1.5mm²
 Withstanding voltage: AC2000V/1Min
 Insulation resistance: 5000M Ω /DC1000V

Mechanical

Temp.Range: -40°C~+105°C
 Torque: 0.2Nm (1.7lb'in)
 Strip length: 6-7mm

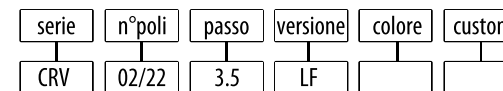
Dimensions

Pitch: 3.50mm
 Poles: 2p-24p

Material

Housing: PA66, UL94V-0
 Screws: M2, steel Zinc plated
 Wire guard: Brass, Ni plated
 Clamp: Phosor bronze, Ni plated

Schema generale del codice di ordinazione / General description of ordering code



TOLERANCES EXCEPT AS NOTED

	linear dimension				fillet	chamfer	∠ short angle sid	≡	-	□	//	⊥				
	variable	over 6	over 30	over 120									over 480			
range	to 6	to 30	to 120	to 480	all	to 6	to 10	to 10	to 5	to 30	to 120	to 120				
tolerance	±0.1	±0.2	±0.3	±0.5	±0.2	±0.5	±1	1°	30'	20'	10'	0.5	0.025	0.06	0.12	0.4

UNITS	mm	SIZE	A4	SCALE	FIRST ANGLE PROJECTION	
					NAME	CRV-3.5-LF