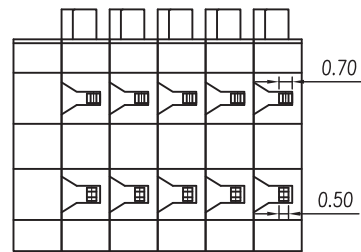
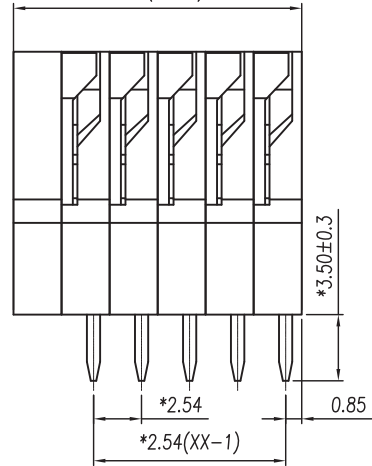
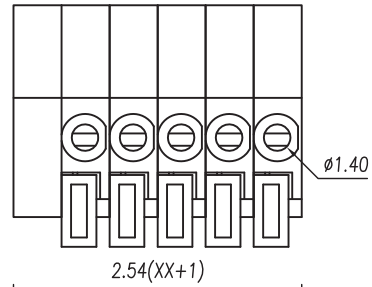
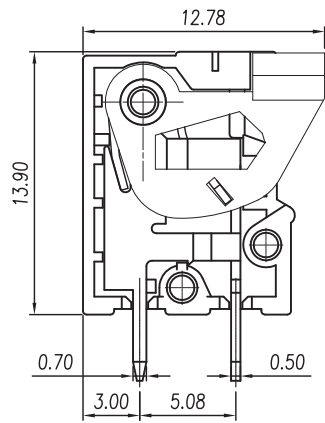


P.C.B. LAYOUT



Approvals



4A-150V
not approved

Electrical

Rated voltage	130V
Rated current	6A
Contact resistance	20mΩ
Insulation resistance	500MΩ/DC500V
Withstanding voltage	AC1300V/1 min
Wire range	26-20 AWG 0,5mm2
Torque	
Temp. Range	-40°C+105°C
Stripping length	11mm
Max sold. time	+250°C for 5 sec

Dimensions

Pitch	2,54 mm
Poles	1÷xx

Material

Housing	PA66 UL94V0
Pin	Copper Alloy, tin plated
Cage	Stainless Steel
Screws	
Side Block	
Nut screw	
Clamp	

General description of ordering code

Series	n. Poles	Pitch	Version	Color	Custom
MRM2	1÷xx	-2.54	-V		

Version Date

01/17 17/10/17



euro-block

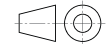


UNITS: mm

SHEET SIZE: ISO A4

SCALE: 10:1

> 0 ~ 3	> 3 ~ 18	> 18 ~ 50	> 50 ~ 120
± 0.12	± 0.15	± 0.3	± 0.5



First angle projection

MRM2-2.54-V