

Approvals



10A - 300V



Electrical

Rated voltage 320 V
 Rated current 17,5 A
 Contact resistance 20 mΩ
 Insulation resistance 500 MΩ/DC 500 V
 Withstanding voltage AC 1600 V/1 min
 Wire range 1,5 mm² 26÷14 AWG

Torque ---
 Temp. Range -40°C + 105°C
 Stripping length 8 mm
 Max sold. time +250°C for 5 sec.

Dimensions

Pitch 5 mm
 Poles 2÷xx

Material

Housing PA66 UL94V0
 Pin Copper Alloy, Sn plated
 Cage Stainless Steel
 Screws ---
 Side Block ---
 Nut screw ---
 Clamp ---

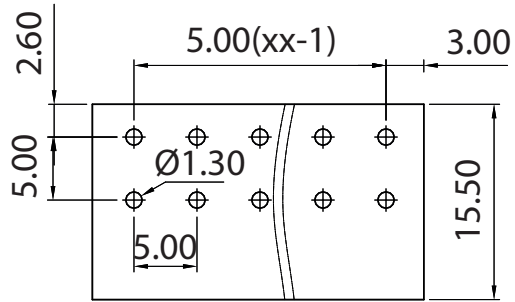
General description of ordering code

Series	n. Poles	Pitch	Version	Color	Custom
MRM8	2÷xx	-5	-H		

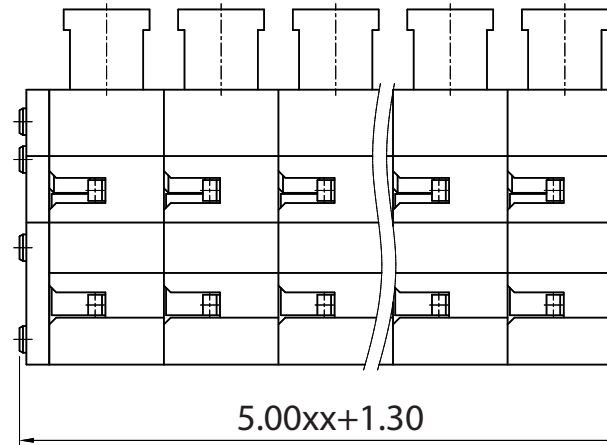
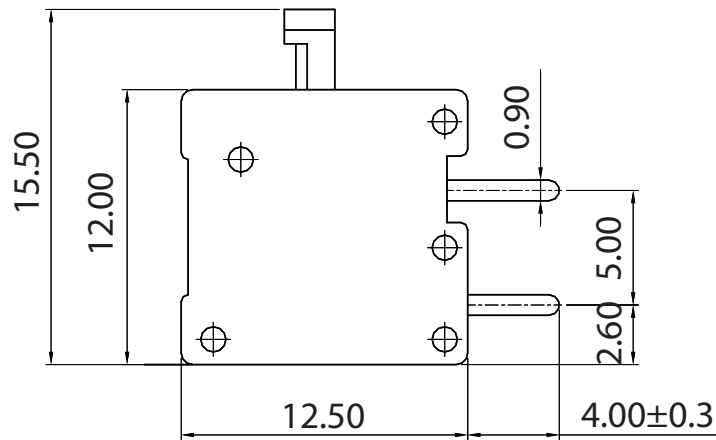
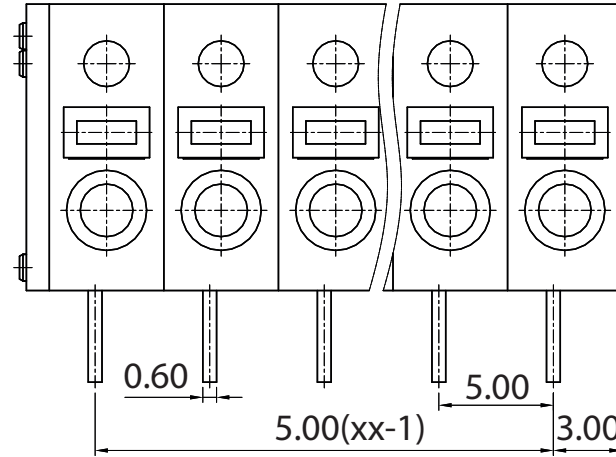
Version Date

01/22

04/03/2022



p.c.b. layout



euro-block



UNITS: mm

SHEET SIZE: ISO A4

SCALE: 3:1

> 0 ~ 3

> 3 ~ 18

> 18 ~ 50

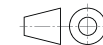
> 50 ~ 120

± 0.12

± 0.15

± 0.3

± 0.5



First angle projection

MRM8-5-H