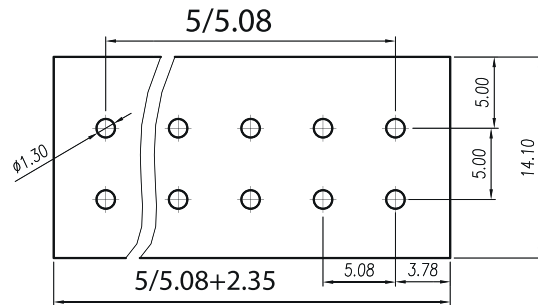
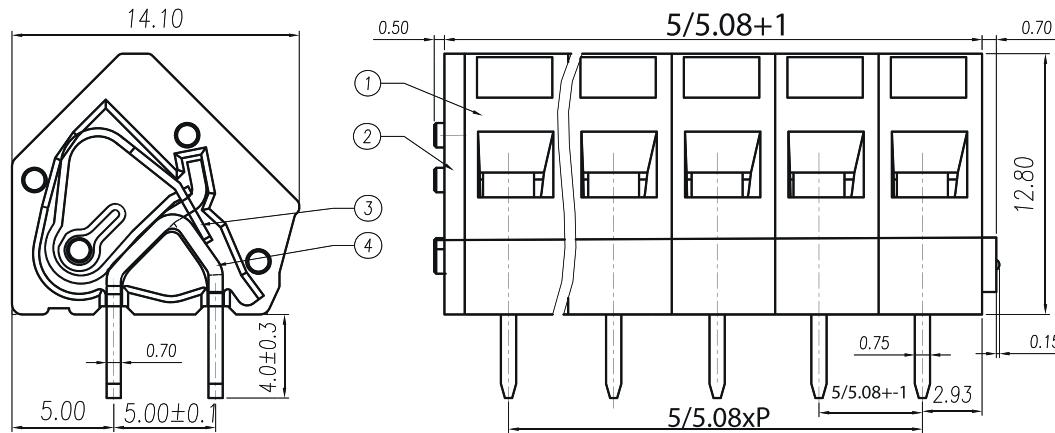


# euro-block

product specification



P.C.B. LAYOUT



### Approvals

UL-cUL not approved  
VDE not approved

### Electrical

Standard  
Rated voltage 250V  
Rated current 15A  
Contact resistance 20mΩ  
Insulation resistance 500MΩ/DC500V  
Withstanding voltage AC2000V / 1min  
Wire range 1.5mmq 26÷16 AWG

Torque  
Temp. Range -40°C + 105°C  
Stripping length 5mm  
Max sold. time +250°C for 5 sec

### Dimensions

Pitch 5/5.08  
Poles 1÷24

### Material

Housing PA66 UL 94V0  
Pin Copper Alloy, tin plated  
Cage Stainless Steel  
Screws  
Slide Block  
Nut screw  
Clamp

Version/Version

Data/Date

01/16

04/10/16

General description of ordering code

Series	n. poles	pitch	version	color	custom
MRM6	1÷24	-5/5.08	-V		

UNITS:mm SIZE: A4

ELDECO SRL - TORINO (ITALY)

Series:

MRM6-5/5.08-V