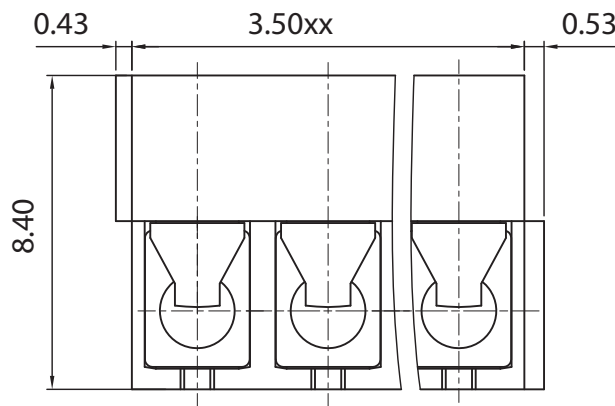
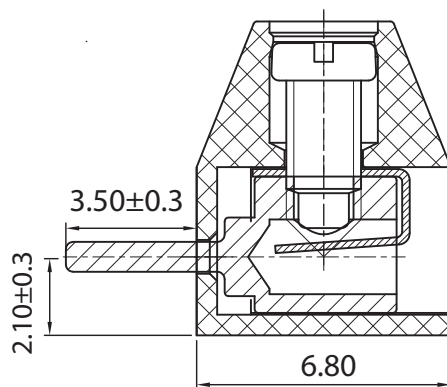
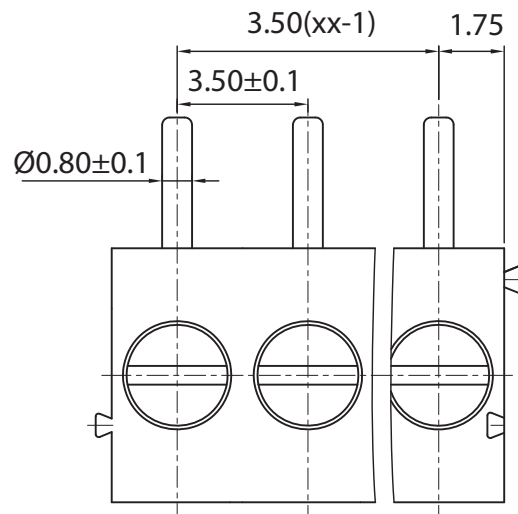


p.c.b. layout



Approvals



10A-125V
not approved

Electrical

Rated voltage 250V
Rated current 10A
Contact resistance 20mΩ
Insulation resistance 500MΩ/DC500V
Withstanding voltage AC1600V/1 min
Wire range 24-18 AWG 1,5 mm²

Torque 0,2Nm(1.8Lb in)
Temp. Range -40°C +105°C
Stripping length 5 mm
Max sold. time +250°C for 5 sec

Dimensions

Pitch 3,50 mm
Poles 2÷24

Material

Housing PA66 UL94V0
Pin Copper Alloy, tin plated
Cage Copper Alloy, Ni plated
Screws M2, Steel Zn plated
Side Block
Nut screw
Clamp

General description of ordering code

Series	n. Poles	Pitch	Version	Color	Custom
BLT31	2÷24	-3.5	-H		

Version Date

2020/01 13/11/2020



euro-block



UNITS: mm

SHEET SIZE: ISO A4

SCALE: 10:1

> 0 ~ 3

> 3 ~ 18

> 18 ~ 50

> 50 ~ 120

± 0.12

± 0.15

± 0.3

± 0.5



First angle projection

BLT31-3.5-H