

Approvals



Electrical

Rated voltage	250V
Rated current	17.5A
Contact resistance	20mΩ
Insulation resistance	500MΩ/DC500V
Impulse voltage	1.6KV
Wire range	1,5mm2 22÷16 AWG
Torque	0,5Nm (4.5Lb In)
Temp. Range	-40°C + 105°C
Stripping length	5 mm
Max sold. time	+250°C for 5 sec.

Dimensions

Pitch	7.5 mm
Poles	2÷24

Material

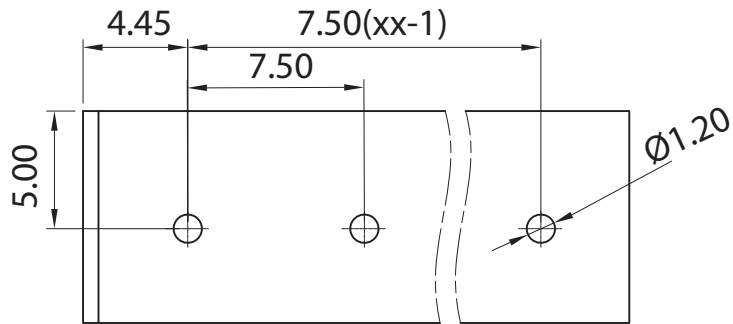
Housing	PBT UL94V0
Pin	Copper Alloy, Sn plated
Cage	Copper Alloy, Ni plated
Screws	M3; Steel Zn plated
Side Block	---
Nut screw	---
Clamp	---

General description of ordering code

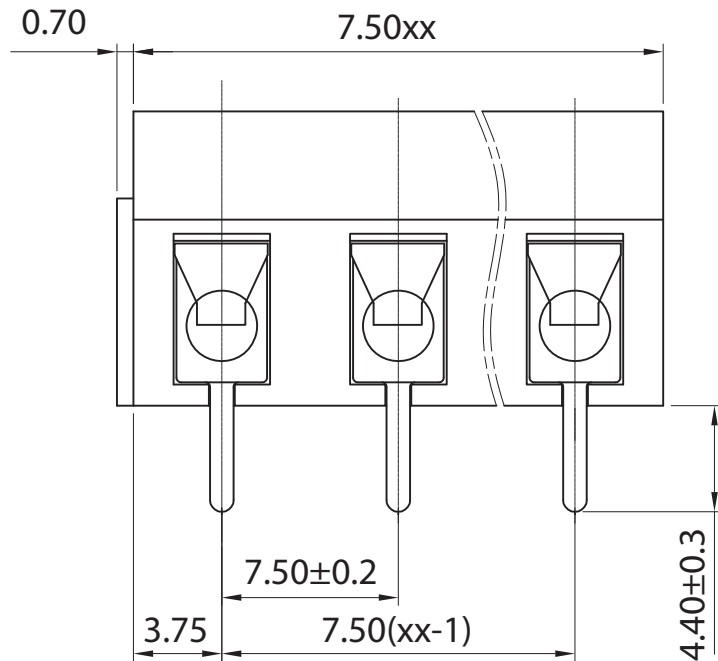
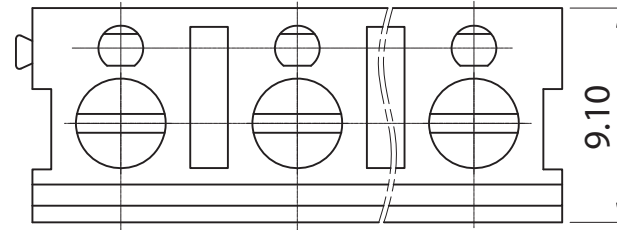
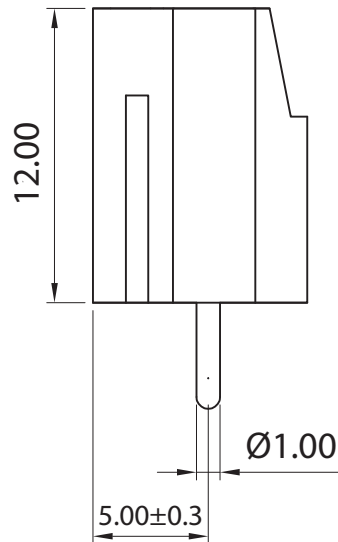
Series	n. Poles	Pitch	Version	Color	Custom
MLT72	2÷24	-7.5	-V		

Version Date

2020/01 28/04/2020



p.c.b. layout



euro-block



UNITS: mm

SHEET SIZE: ISO A4

SCALE: 4:1

> 0 ~ 3

> 3 ~ 18

> 18 ~ 50

> 50 ~ 120

± 0.12

± 0.15

± 0.3

± 0.5



First angle projection

MLT72-7.5-V