

**Approvals**



not approved



not approved

**Electrical**

Rated voltage 250V  
 Rated current 17.5A  
 Contact resistance 20mΩ  
 Insulation resistance 500MΩ/DC500V  
 Impulse voltage 1.6KV  
 Wire range 1,5mm2 22÷16 AWG

Torque 0,4Nm (3.6Lb In)  
 Temp. Range -40°C + 105°C  
 Stripping length 5 mm  
 Max sold. time +250°C for 5 sec.

**Dimensions**

Pitch 5 mm  
 Poles 2÷24

**Material**

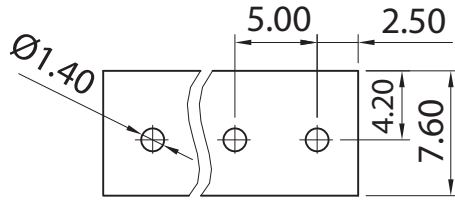
Housing PA66 UL94V0  
 Pin Copper Alloy, Sn plated  
 Cage Copper Alloy, Ni plated  
 Screws M2.5;Steel Zn plated  
 Side Block ---  
 Nut screw ---  
 Clamp ---

**General description of ordering code**

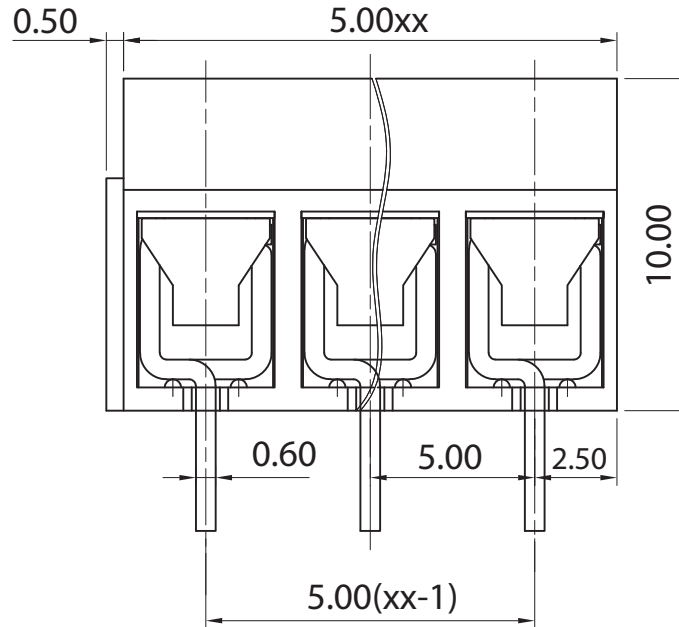
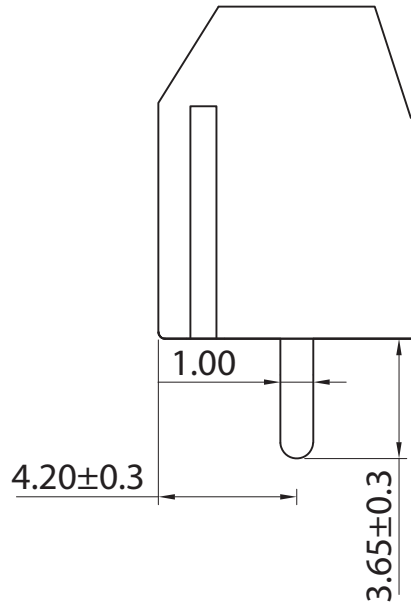
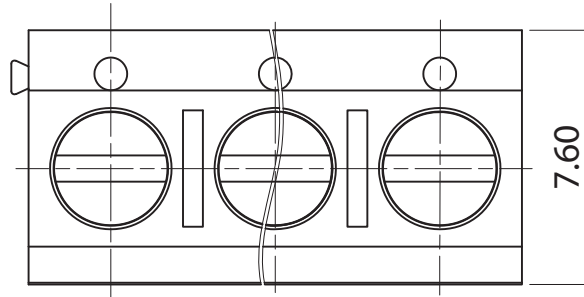
Series	n. Poles	Pitch	Version	Color	Custom
BLR52	2÷24	-5	-V		

**Version Date**

2020/01 29/04/2020



p.c.b. layout



euro-block



UNITS: mm

SHEET SIZE: ISO A4

SCALE: 4:1

> 0 ~ 3

> 3 ~ 18

> 18 ~ 50

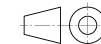
> 50 ~ 120

± 0.12

± 0.15

± 0.3

± 0.5



First angle projection

**BLR52-5-V**