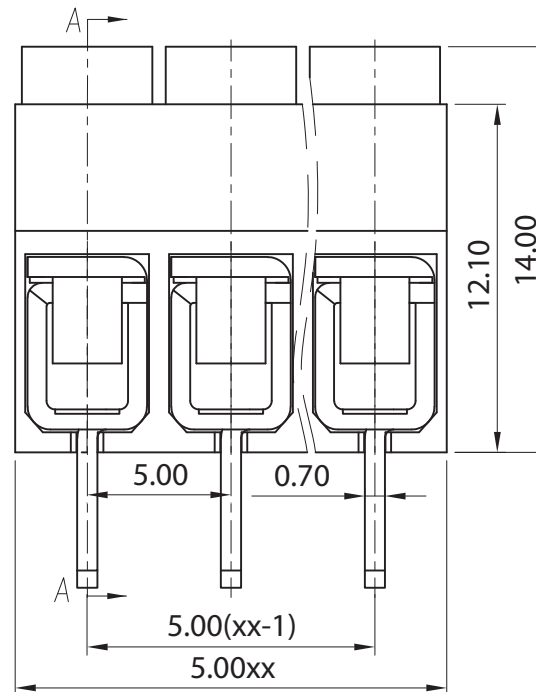
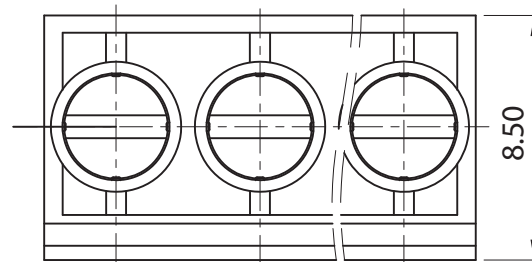
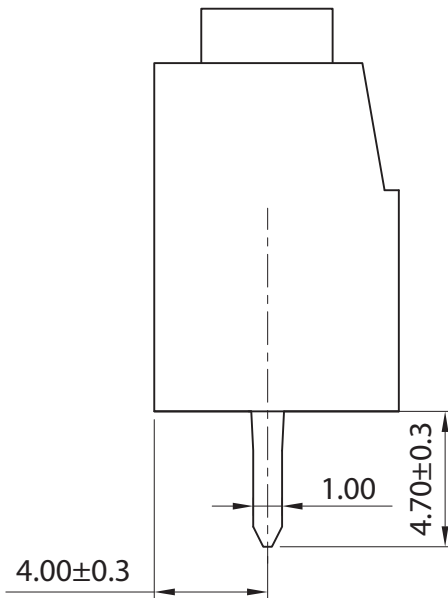


p.c.b. layout



**Approvals**



not approved



not approved

**Electrical**

Rated voltage	250V
Rated current	18A
Contact resistance	20mΩ
Insulation resistance	500MΩ/DC500V
Impulse voltage	1.6KV
Wire range	2,5mm <sup>2</sup> 26÷14 AWG

Torque	0,4Nm (3.6Lb In)
Temp. Range	-40°C + 105°C
Stripping length	6 mm
Max sold. time	+250°C for 5 sec.

**Dimensions**

Pitch	5 mm
Poles	2÷24

**Material**

Housing	PA66 UL94V0
Pin	Copper Alloy, Sn plated
Cage	Copper Alloy, Ni plated
Screws	M2.5;Steel Zn plated
Side Block	---
Nut screw	---
Clamp	---

**General description of ordering code**

Series	n. Poles	Pitch	Version	Color	Custom
MMR52	2÷24	-5	-V		

**Version Date**

2020/01	28/04/2020
---------	------------



**euro-block**



UNITS: mm

SHEET SIZE: ISO A4

SCALE: 4:1

> 0 ~ 3

> 3 ~ 18

> 18 ~ 50

> 50 ~ 120

± 0.12

± 0.15

± 0.3

± 0.5



First angle projection

**MMR52-5-V**