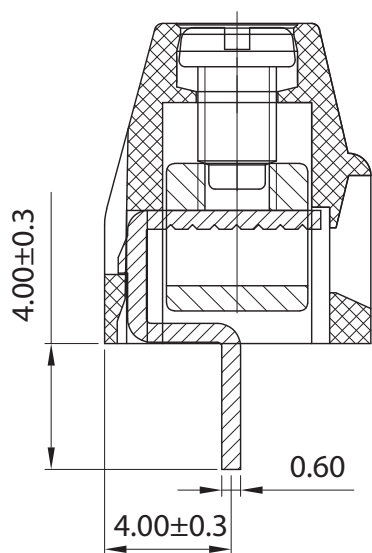
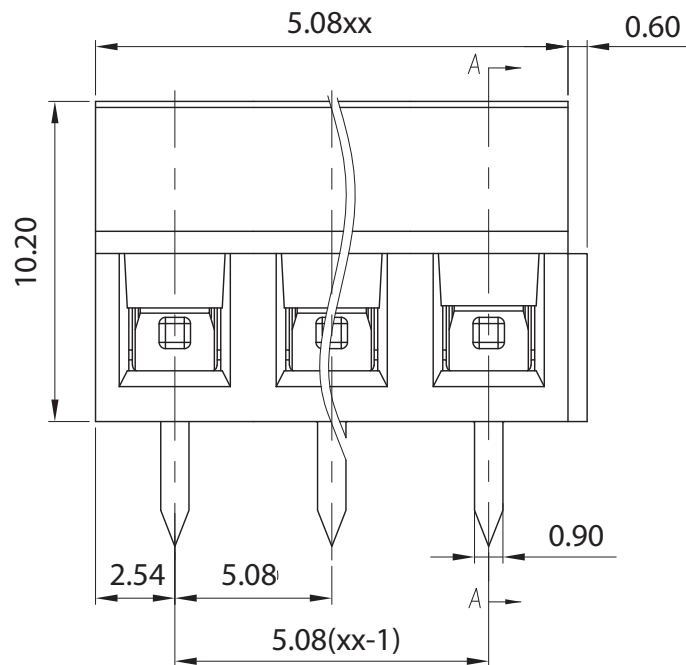
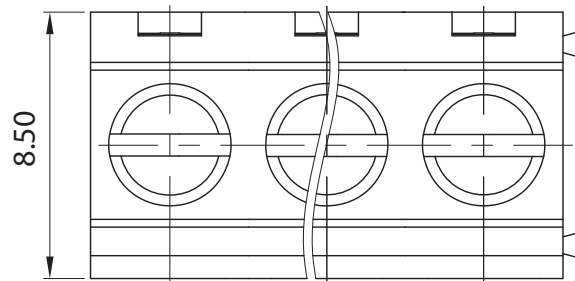


p.c.b. layout



section: A-A



Approvals



8A-300V
17,5A-250V

Electrical

Rated voltage 250V
 Rated current 17,5A
 Contact resistance 20mΩ
 Insulation resistance 500MΩ/DC500V
 Impulse voltage 4KV
 Wire range 1,5mm2 22÷16 AWG

 Torque 0,4Nm (3.6Lb In)
 Temp. Range -40°C + 105°C
 Stripping length 7 mm
 Max sold. time +250°C for 5 sec.

Dimensions

Pitch 5,08 mm
 Poles 2÷24

Material

Housing PA66 UL94V0
 Pin Copper Alloy, Sn plated
 Cage Copper Alloy, Ni plated
 Screws M2,5; Steel Zn plated
 Side Block ---
 Nut screw ---
 Clamp ---

General description of ordering code

Series	n. Poles	Pitch	Version	Color	Custom
MRB51	2÷24	-5.08	-V		

Version Date

2020/01 07/04/2020



euro-block



UNITS: mm

SHEET SIZE: ISO A4

SCALE: 4:1

> 0 ~ 3

> 3 ~ 18

> 18 ~ 50

> 50 ~ 120

± 0.12

± 0.15

± 0.3

± 0.5



First angle projection

MRB51-5.08-V