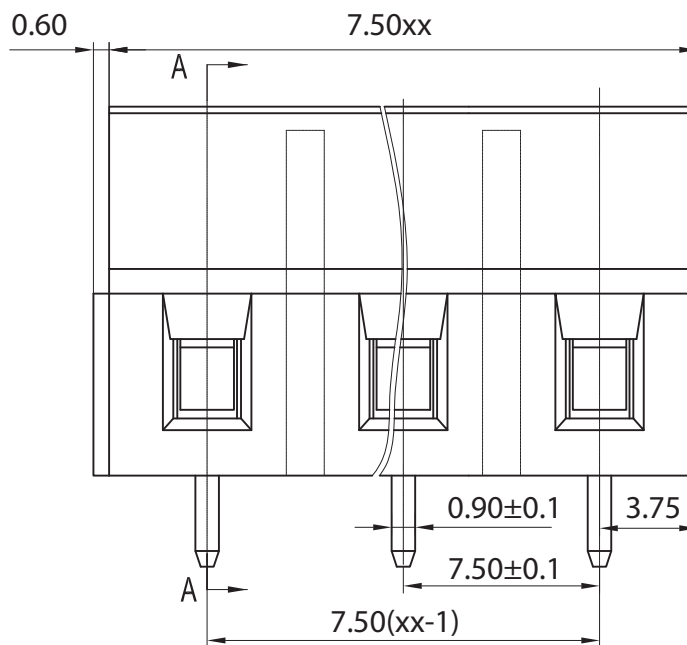
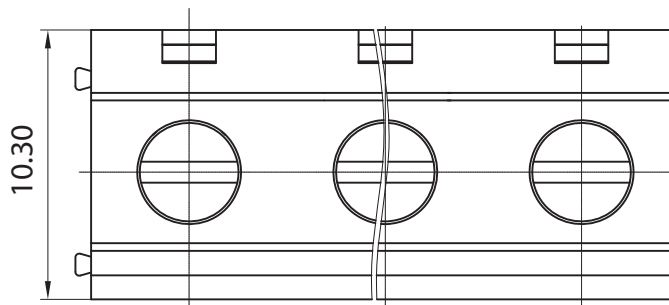
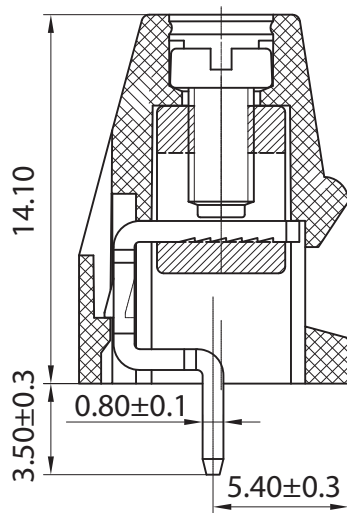


p.c.b. layout



Approvals



10A - 300V  
20A - 450V

Electrical

Rated voltage 450V  
Rated current 20A  
Contact resistance 20mΩ  
Insulation resistance 500MΩ/DC500V  
Withstanding voltage AC2000V/1 min  
Wire range 2,5mm2 22÷12 AWG

Torque 0,4Nm (3,6 Lb in)  
Temp. Range -40°C + 105°C  
Stripping length 6 mm  
Max sold. time +250°C for 5 sec.

Dimensions

Pitch 7,5 mm  
Poles 2÷24

Material

Housing PA66 UL94V0  
Pin Brass, tin plated  
Cage Brass, tin plated  
Screws M2.5, Steel, Zn plated  
Side Block ---  
Nut screw ---  
Clamp ---

General description of ordering code

Series	n. Poles	Pitch	Version	Color	Custom
MRS52	2÷24	-7.5	-V		

Version Date

2020/01 13/11/2020



euro-block



UNITS: mm

SHEET SIZE: ISO A4

SCALE: 7:2

> 0 ~ 3

> 3 ~ 18

> 18 ~ 50

> 50 ~ 120

± 0.12

± 0.15

± 0.3

± 0.5



First angle projection

MRS52-7.5-V