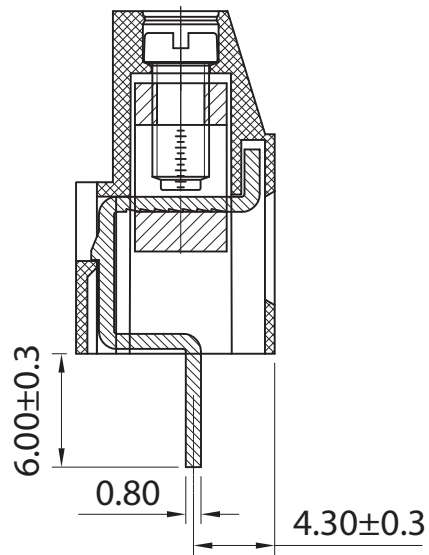
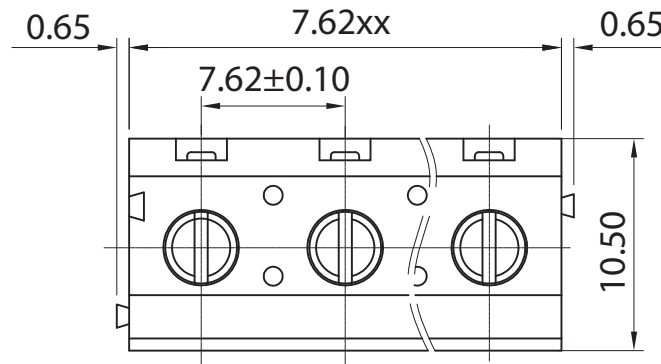
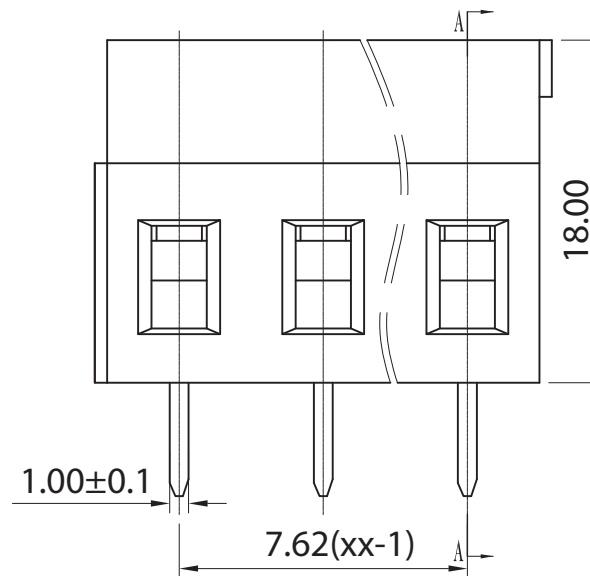


p.c.b. layout



Section: A-A



Approvals



20A-300V  
20A-450V

Electrical

Rated voltage 250V  
Rated current 25A  
Contact resistance 20mΩ  
Insulation resistance 500MΩ/DC500V  
Withstanding voltage AC2000V/1min  
Wire range 26-12 AWG 2,5mm<sup>2</sup>  
  
Torque 0,5Nm (4.5Lb in)  
Temp. Range -40°C +105°C  
Stripping length 7 mm  
Max sold. time +250°C for 5 sec

Dimensions

Pitch 7,62 mm  
Poles 2÷24

Material

Housing PA66 UL94V0  
Pin Copper Alloy, Sn plated  
Cage Copper Alloy, Ni plated  
Screws M3 steel, Zn plated  
Side Block  
Nut screw  
Clamp

General description of ordering code

Series	n. Poles	Pitch	Version	Color	Custom
MRA52	2÷24	-7.62	-V		

Version Date

01/21 23/11/2021



euro-block



linear dimension (Tolerances Standard GB/T 14486-2008)										UNITS: mm			
variable range	to 6	over 6 to 10	over 10 to 30	over 30 to 60	over 60 to 100	over 100 to 160	over 160 to	to 10	over 10 to 100	over 100 to	SCALE: 10:1		
tolerance	±0.20	±0.30	±0.50	±0.70	±1.00	±1.30	±1.60	0.10	0.30	0.60	SHEET SIZE: ISO A4		



First angle projection

**MRA52-7.62-V**