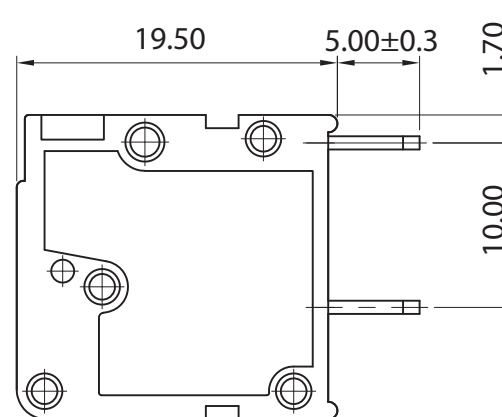
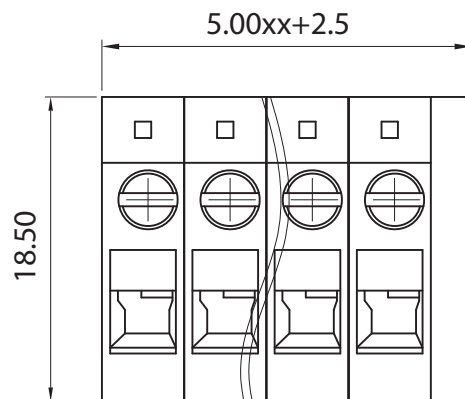


p.c.b. layout



**Approvals**



20A-300V

**Electrical**

Rated voltage	250V
Rated current	24A
Contact resistance	20mΩ
Insulation resistance	500MΩ/DC500V
Withstanding voltage	AC1600V/1min
Wire range	26-12 AWG 2,5mm <sup>2</sup>
Torque	0,4Nm (3.6Lb in)
Temp. Range	-40°C +105°C
Stripping length	9 mm
Max sold. time	+250°C for 5 sec

**Dimensions**

Pitch	5 mm
Poles	2÷24

**Material**

Housing	PA66 UL94V0
Pin	Copper Alloy, Sn plated
Cage	Copper Alloy, Sn plated
Screws	M2,5 steel, Zn plated
Side Block	
Nut screw	
Clamp	

**General description of ordering code**

Series	n. Poles	Pitch	Version	Color	Custom
MRF52	2÷24	-5	-V1		

**Version Date**

2020/01	27/03/2020
---------	------------



**euro-block**



linear dimension (Tolerances Standard GB/T 14486-2008)										UNITS: mm			
variable range	to 6	over 6 to 10	over 10 to 30	over 30 to 60	over 60 to 100	over 100 to 160	over 160 to	to 10	over 10 to 100	over 100 to	SCALE: 10:1		
tolerance	±0.20	±0.30	±0.50	±0.70	±1.00	±1.30	±1.60	0.10	0.30	0.60	SHEET SIZE: ISO A4		



First angle projection

**MRF52-5-V1**