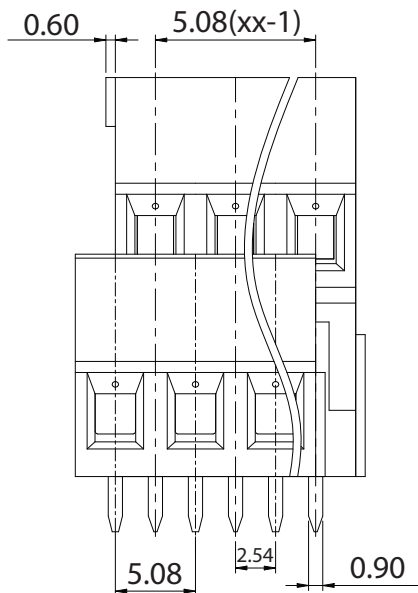
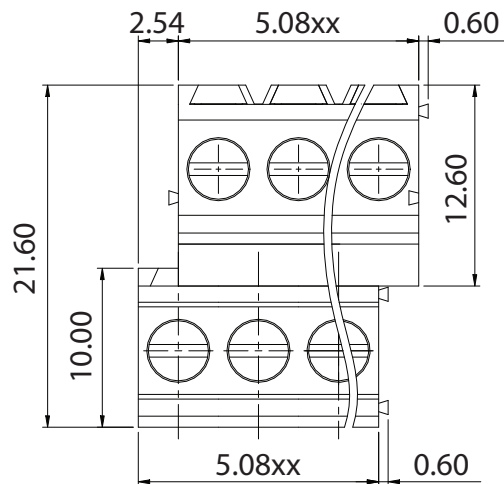
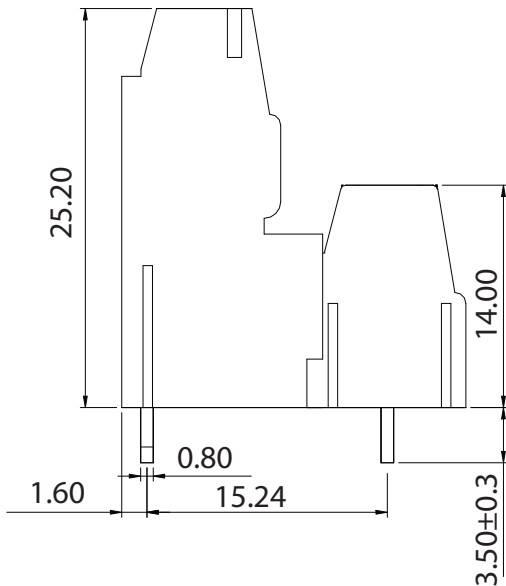


p.c.b. layout



Approvals



15A-300V

Electrical

Rated voltage 250V
 Rated current 24A
 Contact resistance 20mΩ
 Insulation resistance 500MΩ/DC500V
 Withstanding voltage AC 2000V/1 min
 Wire range 30-14 AWG 2,5 mm²

Torque 0,4Nm(3.6 Lb in)
 Temp. Range -40°C + 105°C
 Stripping length 6 mm
 Max sold. time +250°C for 5 sec

Dimensions

Pitch 5.08 mm
 Poles 2+2 ÷ 24+24

Material

Housing PA66 UL94V0
 Pin Copper Alloy, Sn plated
 Cage Copper Alloy, Ni plated
 Screws M2,5 Steel, Zn plated
 Side Block
 Nut screw
 Clamp

General description of ordering code

Series	n. Poles	Pitch	Version	Color	Custom
MRD52	2÷24	-5.08	-R		

Version Date

01/21 30/06/2021



euro-block



UNITS: mm

SHEET SIZE: ISO A4

SCALE: 10:1

> 0 ~ 3

> 3 ~ 18

> 18 ~ 50

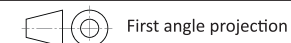
> 50 ~ 120

± 0.12

± 0.15

± 0.3

± 0.5



MRD52-5.08-R