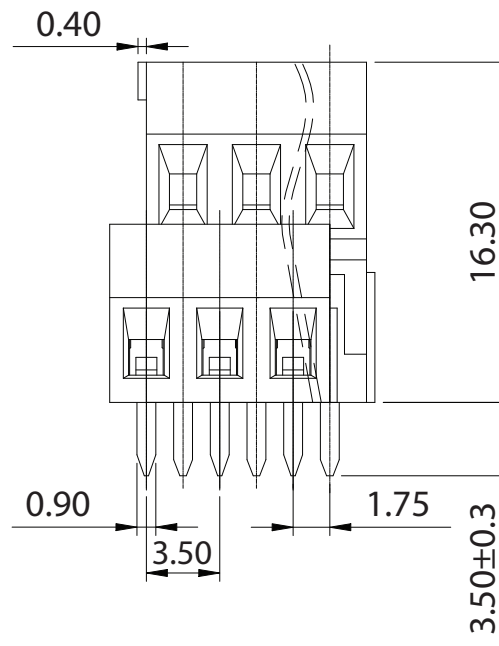
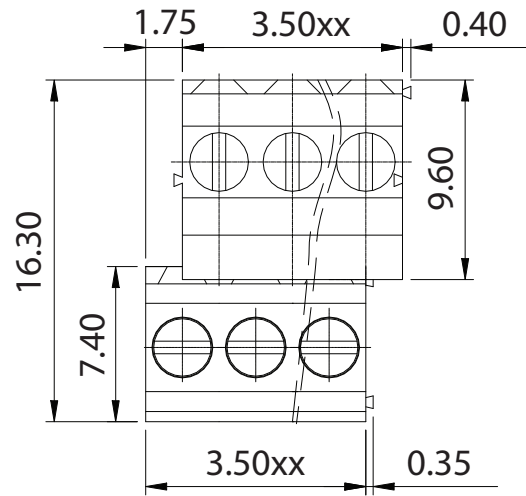
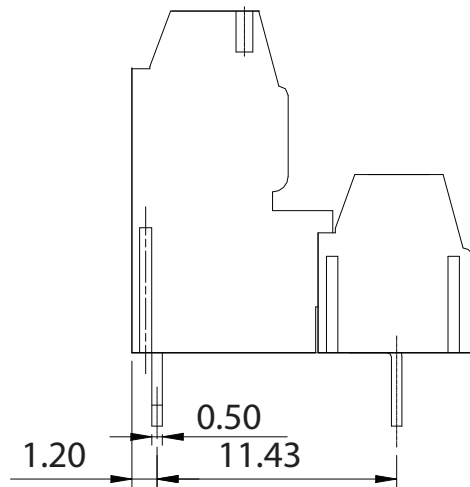


p.c.b. layout



**Approvals**



15A-300V  
13,5A-160V

**Electrical**

Rated voltage 250V  
Rated current 15A  
Contact resistance 20mΩ  
Insulation resistance 500MΩ/DC500V  
Withstanding voltage AC 1600V/1 min  
Wire range 28÷16 AWG 1 mm<sup>2</sup>

Torque 0,2Nm(1.8Lb in)  
Temp. Range -40°C+105°C  
Stripping length 6mm  
Max sold. time +250°C for 5 sec.

**Dimensions**

Pitch 3,50 mm  
Poles 2+2÷24+24

**Material**

Housing PA66 UL94V0  
Pin Copper Alloy, tin plated  
Cage Copper Alloy, NI plated  
Screws M2, Steel Zn plated  
Side Block  
Nut screw  
Clamp

**General description of ordering code**

Series	n. Poles	Pitch	Version	Color	Custom
MRD31	2÷24	-3.5	-R		

**Version Date**

21/01 01/07/2020



**euro-block**



UNITS: mm

SHEET SIZE: ISO A4

SCALE: 10:1

> 0 ~ 3

> 3 ~ 18

> 18 ~ 50

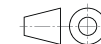
> 50 ~ 120

± 0.12

± 0.15

± 0.3

± 0.5



First angle projection

**MRD31-3.5-R**