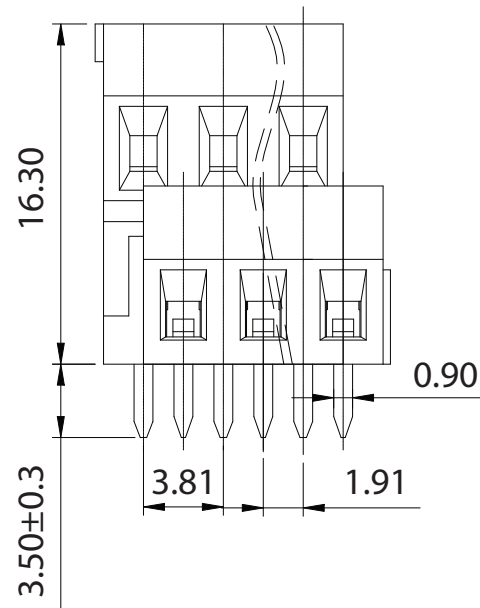
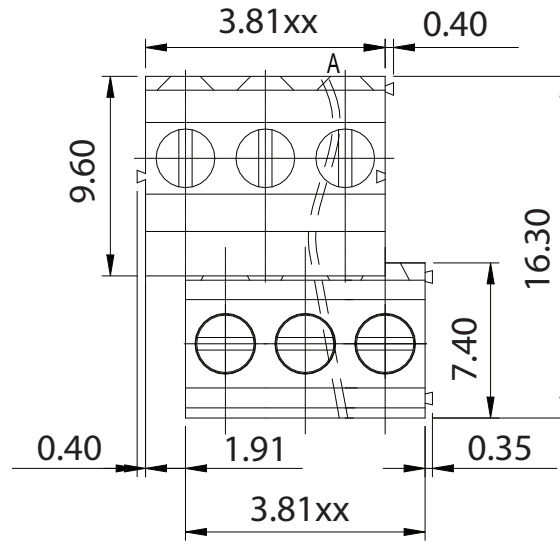
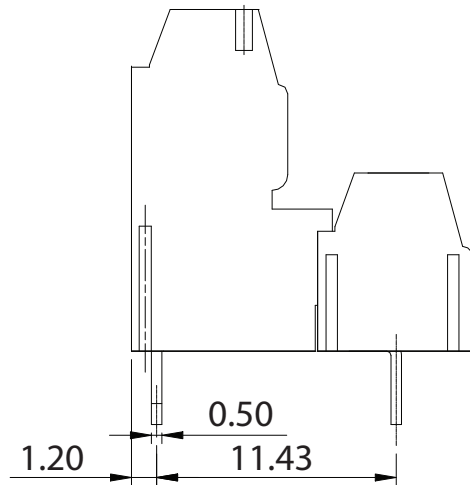


p.c.b. layout



Approvals



15A-300V

13,5A-160V

Electrical

Rated voltage 250V
 Rated current 15A
 Contact resistance 20mΩ
 Insulation resistance 500MΩ/DC500V
 Withstanding voltage AC 1600V/1 min
 Wire range 28÷16 AWG 1 mm²

Torque 0,2Nm(1.8Lb in)
 Temp. Range -40°C+105°C
 Stripping length 6mm
 Max sold. time +250°C for 5 sec.

Dimensions

Pitch 3,81 mm
 Poles 2+2÷24+24

Material

Housing PA66 UL94V0
 Pin Copper Alloy, tin plated
 Cage Copper Alloy, NI plated
 Screws M2, Steel Zn plated
 Side Block
 Nut screw
 Clamp

General description of ordering code

| Series | n. Poles | Pitch | Version | Color | Custom |
|--------|----------|-------|---------|-------|--------|
| MRD31 | 2÷24 | -3.81 | -L | | |

Version Date

21/01 +01/07/2020



euro-block



UNITS: mm

SHEET SIZE: ISO A4

SCALE: 10:1

> 0 ~ 3

> 3 ~ 18

> 18 ~ 50

> 50 ~ 120

± 0.12

± 0.15

± 0.3

± 0.5



First angle projection

MRD31-3.81-L